

INTERNATIONAL STANDARD

NORME INTERNATIONALE

BASIC SAFETY PUBLICATION

PUBLICATION FONDAMENTALE DE SÉCURITÉ

**Low-voltage electrical installations –
Part 5-54: Selection and erection of electrical equipment – Earthing
arrangements and protective conductors**

**Installations électriques basse-tension –
Partie 5-54: Choix et mise en œuvre des matériels électriques – Installations de
mise à la terre et conducteurs de protection**



THIS PUBLICATION IS COPYRIGHT PROTECTED

Copyright © 2011 IEC, Geneva, Switzerland

All rights reserved. Unless otherwise specified, no part of this publication may be reproduced or utilized in any form or by any means, electronic or mechanical, including photocopying and microfilm, without permission in writing from either IEC or IEC's member National Committee in the country of the requester.

If you have any questions about IEC copyright or have an enquiry about obtaining additional rights to this publication, please contact the address below or your local IEC member National Committee for further information.

Droits de reproduction réservés. Sauf indication contraire, aucune partie de cette publication ne peut être reproduite ni utilisée sous quelque forme que ce soit et par aucun procédé, électronique ou mécanique, y compris la photocopie et les microfilms, sans l'accord écrit de la CEI ou du Comité national de la CEI du pays du demandeur.

Si vous avez des questions sur le copyright de la CEI ou si vous désirez obtenir des droits supplémentaires sur cette publication, utilisez les coordonnées ci-après ou contactez le Comité national de la CEI de votre pays de résidence.

IEC Central Office
3, rue de Varembe
CH-1211 Geneva 20
Switzerland
Email: inmail@iec.ch
Web: www.iec.ch

About the IEC

The International Electrotechnical Commission (IEC) is the leading global organization that prepares and publishes International Standards for all electrical, electronic and related technologies.

About IEC publications

The technical content of IEC publications is kept under constant review by the IEC. Please make sure that you have the latest edition, a corrigenda or an amendment might have been published.

- Catalogue of IEC publications: www.iec.ch/searchpub

The IEC on-line Catalogue enables you to search by a variety of criteria (reference number, text, technical committee,...). It also gives information on projects, withdrawn and replaced publications.

- IEC Just Published: www.iec.ch/online_news/justpub

Stay up to date on all new IEC publications. Just Published details twice a month all new publications released. Available on-line and also by email.

- Electropedia: www.electropedia.org

The world's leading online dictionary of electronic and electrical terms containing more than 20 000 terms and definitions in English and French, with equivalent terms in additional languages. Also known as the International Electrotechnical Vocabulary online.

- Customer Service Centre: www.iec.ch/webstore/custserv

If you wish to give us your feedback on this publication or need further assistance, please visit the Customer Service Centre FAQ or contact us:

Email: csc@iec.ch
Tel.: +41 22 919 02 11
Fax: +41 22 919 03 00

A propos de la CEI

La Commission Electrotechnique Internationale (CEI) est la première organisation mondiale qui élabore et publie des normes internationales pour tout ce qui a trait à l'électricité, à l'électronique et aux technologies apparentées.

A propos des publications CEI

Le contenu technique des publications de la CEI est constamment revu. Veuillez vous assurer que vous possédez l'édition la plus récente, un corrigendum ou amendement peut avoir été publié.

- Catalogue des publications de la CEI: www.iec.ch/searchpub/cur_fut-f.htm

Le Catalogue en-ligne de la CEI vous permet d'effectuer des recherches en utilisant différents critères (numéro de référence, texte, comité d'études,...). Il donne aussi des informations sur les projets et les publications retirées ou remplacées.

- Just Published CEI: www.iec.ch/online_news/justpub

Restez informé sur les nouvelles publications de la CEI. Just Published détaille deux fois par mois les nouvelles publications parues. Disponible en-ligne et aussi par email.

- Electropedia: www.electropedia.org

Le premier dictionnaire en ligne au monde de termes électroniques et électriques. Il contient plus de 20 000 termes et définitions en anglais et en français, ainsi que les termes équivalents dans les langues additionnelles. Egalement appelé Vocabulaire Electrotechnique International en ligne.

- Service Clients: www.iec.ch/webstore/custserv/custserv_entry-f.htm

Si vous désirez nous donner des commentaires sur cette publication ou si vous avez des questions, visitez le FAQ du Service clients ou contactez-nous:

Email: csc@iec.ch
Tél.: +41 22 919 02 11
Fax: +41 22 919 03 00



IEC 60364-5-54

Edition 3.0 2011-03

INTERNATIONAL STANDARD

NORME INTERNATIONALE

BASIC SAFETY PUBLICATION

PUBLICATION FONDAMENTALE DE SÉCURITÉ

**Low-voltage electrical installations –
Part 5-54: Selection and erection of electrical equipment – Earthing
arrangements and protective conductors**

**Installations électriques basse-tension –
Partie 5-54: Choix et mise en œuvre des matériels électriques – Installations de
mise à la terre et conducteurs de protection**

INTERNATIONAL
ELECTROTECHNICAL
COMMISSION

COMMISSION
ELECTROTECHNIQUE
INTERNATIONALE

PRICE CODE
CODE PRIX



ICS 29.020; 91.140.50

ISBN 978-2-88912-400-8

CONTENTS

FOREWORD.....	4
INTRODUCTION.....	6
541 General	7
541.1 Scope.....	7
541.2 Normative references	7
541.3 Terms and definitions	8
542 Earthing arrangements	9
542.1 General requirements.....	9
542.2 Earth electrodes.....	10
542.3 Earthing conductors	12
542.4 Main earthing terminal.....	13
543 Protective conductors	13
543.1 Minimum cross-sectional areas	13
543.2 Types of protective conductors.....	15
543.3 Electrical continuity of protective conductors	16
543.4 PEN, PEL or PEM conductors	16
543.5 Combined protective and functional earthing conductors	18
543.6 Currents in protective earthing conductors	19
543.7 Reinforced protective earthing conductors for protective earthing conductor currents exceeding 10mA.....	19
543.8 Arrangement of protective conductors	19
544 Protective bonding conductors	19
544.1 Protective bonding conductors for connection to the main earthing terminal.....	19
544.2 Protective bonding conductors for supplementary bonding	20
Annex A (normative) Method for deriving the factor k in 543.1.2 (see also IEC 60724 and IEC 60949).....	21
Annex B (informative) Example of earthing arrangements and protective conductors	25
Annex C (informative) Erection of concrete-embedded foundation earth electrodes	27
Annex D (informative) Erection of soil-embedded earth electrodes.....	30
Annex E (informative) List of notes concerning certain countries.....	34
Bibliography.....	40
Figure 54.1 – Examples of a PEN conductor connection	18
Figure B.54.1 – Examples of earthing arrangements for foundation earth electrode, protective conductors and protective bonding conductors	26
Table 54.1 – Minimum size of commonly used earth electrodes, embedded in soil or concrete used to prevent corrosion and provide mechanical strength.....	11
Table 54.2 – Minimum cross-sectional area of protective conductors (where not calculated in accordance with 543.1.2)	14
Table A.54.1 – Value of parameters for different materials.....	21
Table A.54.2 – Values of k for insulated protective conductors not incorporated in cables and not bunched with other cables.....	22
Table A.54.3 – Values of k for bare protective conductors in contact with cable covering but not bunched with other cables	22

Table A.54.4 – Values of k for protective conductors as a core incorporated in a cable or bunched with other cables or insulated conductors	23
Table A.54.5 – Values of k for protective conductors as a metallic layer of a cable, e.g. armour, metallic sheath, concentric conductor, etc.....	24
Table A.54.6 – Values of k for bare conductors where there is no risk of damage to any neighbouring material by the temperature indicated	24
Table D.54.1 – Resistivity for types of soil	31
Table D.54.2 – Variation of the resistivity for different types of soil	31

INTERNATIONAL ELECTROTECHNICAL COMMISSION

LOW-VOLTAGE ELECTRICAL INSTALLATIONS –

Part 5-54: Selection and erection of electrical equipment – Earthing arrangements and protective conductors

FOREWORD

- 1) The International Electrotechnical Commission (IEC) is a worldwide organization for standardization comprising all national electrotechnical committees (IEC National Committees). The object of IEC is to promote international co-operation on all questions concerning standardization in the electrical and electronic fields. To this end and in addition to other activities, IEC publishes International Standards, Technical Specifications, Technical Reports, Publicly Available Specifications (PAS) and Guides (hereafter referred to as "IEC Publication(s)"). Their preparation is entrusted to technical committees; any IEC National Committee interested in the subject dealt with may participate in this preparatory work. International, governmental and non-governmental organizations liaising with the IEC also participate in this preparation. IEC collaborates closely with the International Organization for Standardization (ISO) in accordance with conditions determined by agreement between the two organizations.
- 2) The formal decisions or agreements of IEC on technical matters express, as nearly as possible, an international consensus of opinion on the relevant subjects since each technical committee has representation from all interested IEC National Committees.
- 3) IEC Publications have the form of recommendations for international use and are accepted by IEC National Committees in that sense. While all reasonable efforts are made to ensure that the technical content of IEC Publications is accurate, IEC cannot be held responsible for the way in which they are used or for any misinterpretation by any end user.
- 4) In order to promote international uniformity, IEC National Committees undertake to apply IEC Publications transparently to the maximum extent possible in their national and regional publications. Any divergence between any IEC Publication and the corresponding national or regional publication shall be clearly indicated in the latter.
- 5) IEC itself does not provide any attestation of conformity. Independent certification bodies provide conformity assessment services and, in some areas, access to IEC marks of conformity. IEC is not responsible for any services carried out by independent certification bodies.
- 6) All users should ensure that they have the latest edition of this publication.
- 7) No liability shall attach to IEC or its directors, employees, servants or agents including individual experts and members of its technical committees and IEC National Committees for any personal injury, property damage or other damage of any nature whatsoever, whether direct or indirect, or for costs (including legal fees) and expenses arising out of the publication, use of, or reliance upon, this IEC Publication or any other IEC Publications.
- 8) Attention is drawn to the Normative references cited in this publication. Use of the referenced publications is indispensable for the correct application of this publication.
- 9) Attention is drawn to the possibility that some of the elements of this IEC Publication may be the subject of patent rights. IEC shall not be held responsible for identifying any or all such patent rights.

International Standard IEC 60364-5-54 has been prepared by IEC technical committee 64: Electrical installations and protection against electric shock.

This third edition cancels and replaces the second edition, published in 2002, and constitutes a technical revision.

The main changes with respect to the previous edition are listed below:

- clarification of the definition of protective conductor;
- improved specification of mechanical characteristics of the earth electrode;
- introduction of earth electrode for protection against electric shock and lightning protection;
- annexes describing concrete-embedded foundation earth electrodes and soil-embedded earth electrode.

The text of this standard is based on the following documents:

FDIS	Report on voting
64/1755/FDIS	64/1766/RVD

Full information on the voting for the approval of this standard can be found in the report on voting indicated in the above table.

It has the status of a basic safety publication in accordance with IEC Guide 104.

This publication has been drafted in accordance with the ISO/IEC Directives, Part 2.

The reader's attention is drawn to the fact that Annex E lists all of the "in-some-country" clauses on differing practices of a less permanent nature relating to the subject of this standard.

A list of all parts in the IEC 60364 series, under the general title: *Low-voltage electrical installations*, can be found on the IEC website.

The committee has decided that the contents of this publication will remain unchanged until the stability date indicated on the IEC web site under "<http://webstore.iec.ch>" in the data related to the specific publication. At this date, the publication will be

- reconfirmed,
- withdrawn,
- replaced by a revised edition, or
- amended.

INTRODUCTION

Clause numbering is sequential, preceded by the number of this Part. Numbering of figures and tables takes the number of this part followed by a sequential number, i.e. Table 54.1, 54.2, etc. Numbering of figures and tables in annexes takes the letter of the annex, followed by the number of the part, followed by a sequential number, e.g. A.54.1, A.54.2, etc.

LOW-VOLTAGE ELECTRICAL INSTALLATIONS –

Part 5-54: Selection and erection of electrical equipment – Earthing arrangements and protective conductors

541 General

541.1 Scope

This part of IEC 60364 addresses the earthing arrangements and protective conductors including protective bonding conductors in order to satisfy the safety of the electrical installation.

541.2 Normative references

The following referenced documents are indispensable for the application of this document. For dated references, only the edition cited applies. For undated references, the latest edition of the referenced document (including any amendments) applies.

IEC 60364-4-41:2005, *Low-voltage electrical installations – Part 4-41: Protection for safety – Protection against electric shock*

IEC 60364-4-44:2007, *Low-voltage electrical installations – Part 4-44: Protection for safety – Protection against voltage disturbances and electromagnetic disturbances*

IEC 60364-5-51:2005, *Electrical installations of buildings – Part 5-51: Selection and erection of electrical equipment – Common rules*

IEC 60439-2, *Low-voltage switchgear and controlgear assemblies – Part 2: Particular requirements for busbar trunking systems (busways)*

IEC 61439-1, *Low-voltage switchgear and controlgear assemblies – Part 1: General rules*

IEC 61439-2, *Low-voltage switchgear and controlgear assemblies – Part 2: Power switchgear and controlgear assemblies*

IEC 60724, *Short-circuit temperature limits of electric cables with rated voltages of 1 kV ($U_m = 1,2$ kV) and 3 kV ($U_m = 3,6$ kV)*

IEC 60909-0, *Short-circuit currents in three-phase a.c. systems – Part 0: Calculation of currents*

IEC 60949, *Calculation of thermally permissible short-circuit currents, taking into account non-adiabatic heating effects*

IEC 61140:2001, *Protection against electric shock – Common aspects for installation and equipment*

IEC 61534-1, *Powertrack systems – Part 1: General requirements*

IEC 62305 (all parts) *Protection against lightning*

IEC 62305-3:2006, *Protection against lightning – Part 3: Physical damage to structures and life hazard*

541.3 Terms and definitions

For the purposes of this document, the terms and definitions of IEC 61140, together with the following definitions, apply.

Definitions used for earthing arrangements, protective conductors and protective bonding conductors are illustrated in Annex B and listed below:

541.3.1

exposed-conductive-part

conductive part of equipment which can be touched and which is not normally live, but which can become live when basic insulation fails

[IEC 60050-826:2004, 826-12-10]

541.3.2

extraneous-conductive-part

conductive part not forming part of the electrical installation and liable to introduce an electric potential, generally the electric potential of a local earth

[IEC 60050-825:2004, IEC 826-12-11]

541.3.3

earth electrode

conductive part, which may be embedded in the soil or in a specific conductive medium, e.g. concrete, in electrical contact with Earth

[IEC 60050-826:2004, 826-13-05, modified]

541.3.4

concrete-embedded foundation earth electrode

earth electrode embedded in concrete of a building foundation, generally in the form of a closed loop

[IEC 60050-826:2004, 826-13-08, modified]

541.3.5

soil-embedded foundation earth electrode

earth electrode buried in the soil under a building foundation, generally in the form of a closed loop

[IEC 60050-826:2004, 826-13-08, modified]

541.3.6

protective conductor

conductor provided for purposes of safety, for example protection against electric shock

[IEC 60050-826:2004, 826-13-22]

NOTE Examples of a protective conductor include a protective bonding conductor, a protective earthing conductor and an earthing conductor when used for protection against electric shock.

541.3.7**protective bonding conductor**

protective conductor provided for protective-equipotential-bonding

[IEC 60050-826:2004, 826-13-24]

541.3.8**earthing conductor**

conductor which provides a conductive path, or part of the conductive path, between a given point in a system or in an installation or in equipment and an earth-electrode network

[IEC 60050-826:2004, 826-13-12]

NOTE For the purposes of this part of IEC 60364, an earthing conductor is the conductor which connects the earth electrode to a point in the equipotential bonding system, usually the main earthing terminal.

541.3.9**main earthing terminal**

main earthing busbar

terminal or busbar which is part of the earthing arrangement of an installation and enabling the electrical connection of a number of conductors for earthing purposes

[IEC 60050-826:2004, 826-13-15]

541.3.10**protective earthing conductor**

protective conductor provided for protective earthing

[IEC 60050-826:2004, 826-13-23]

541.3.11**functional earthing**

earthing a point or points in a system or in an installation or in equipment, for purposes other than electrical safety

[IEC 60050-826:2004, IEC 826-13-10]

541.3.12**earthing arrangement**

all the electrical connections and devices involved in the earthing of a system, installation or an equipment

[IEC 60050-195:2004, 195-02-20]

542 Earthing arrangements**542.1 General requirements**

542.1.1 The earthing arrangements may be used jointly or separately for protective and functional purposes according to the requirements of the electrical installation. The requirements for protective purposes shall always take precedence.

542.1.2 Where provided, earth electrodes within an installation shall be connected to the main earthing terminal using an earthing conductor.

NOTE An installation does not need to have its own earth electrode.

542.1.3 Where the supply to an installation is at high voltage, requirements concerning the earthing arrangements of the high voltage supply and of the low-voltage installation shall also comply with Clause 442 of IEC 60364-4-44:2007.

542.1.4 The requirements for earthing arrangements are intended to provide a connection to earth which:

- is reliable and suitable for the protective requirements of the installation;
- can carry earth fault currents and protective conductor currents to earth without danger from thermal, thermo-mechanical and electromechanical stresses and from electric shock arising from these currents;
- if relevant, is also suitable for functional requirements;
- is suitable for the foreseeable external influences (see IEC 60364-5-51), e.g. mechanical stresses and corrosion.

542.1.5 Consideration shall be given to the earthing arrangements where currents with high frequencies are expected to flow (see Clause 444 of IEC 60364-4-44:2007).

542.1.6 Protection against electric shock, as stated in IEC 60364-4-41, shall not be adversely affected by any foreseeable change of the earth electrode resistance (e.g. due to corrosion, drying or freezing).

542.2 Earth electrodes

542.2.1 The type, materials and dimensions of earth electrodes shall be selected to withstand corrosion and to have adequate mechanical strength for the intended lifetime.

NOTE 1 For corrosion, the following parameters may be considered: the soil pH at the site, soil resistivity, soil moisture, stray and leakage a.c. and d.c. current, chemical contamination, and proximity of dissimilar materials.

For materials commonly used for earth electrodes, the minimum sizes, from the point of view of corrosion and mechanical strength, when embedded in the soil or in concrete, shall be as specified in Table 54.1.

NOTE 2 The minimum thickness of protective coating is greater for vertical earth electrodes than for horizontal earth electrodes because of their greater exposure to mechanical stresses while being embedded.

If a lightning protection system is required, 5.4 of IEC 62305-3:2006 applies.

Table 54.1 – Minimum size of commonly used earth electrodes, embedded in soil or concrete used to prevent corrosion and provide mechanical strength

Material and surface	Shape	Diameter	Cross-sectional area	Thickness	Weight of coating	Thickness of coating/sheathing
		mm	mm ²	mm	g/m ²	µm
Steel embedded in concrete (bare, hot galvanized or stainless)	Round wire	10				
	Solid tape or strip		75	3		
Steel hot-dip galvanized ^c	Strip ^b or shaped strip/plate – Solid plate – Lattice plate		90	3	500	63
	Round rod installed vertically	16			350	45
	Round wire installed horizontally	10			350	45
	Pipe	25		2	350	45
	Stranded (embedded in concrete)		70			
	Cross profile installed vertically		(290)	3		
Steel copper-sheathed	Round rod installed vertically	(15)				2 000
Steel with electro-deposited copper coating	Round rod installed vertically	14				250 ^e
	Round wire installed horizontally	(8)				70
	Strip installed horizontally		90	3		70
Stainless steel ^a	Strip ^b or shaped strip/plate		90	3		
	Round rod installed vertically	16				
	Round wire installed horizontally	10				
	Pipe	25		2		
Copper	Strip		50	2		
	Round wire installed horizontally		(25) ^d 50			
	Solid round rod installed vertically	(12) 15				
	Stranded wire	1,7 for individual strands of wire	(25) ^d 50			
	Pipe	20		2		
	Solid plate			(1,5) 2		
	Lattice plate			2		

NOTE Values in brackets are applicable for protection against electric shock only, while values not in brackets are applicable for lightning protection and for protection against electric shock.

^a Chromium ≥16 %, Nickel ≥5 %, Molybdenum ≥2 %, Carbon ≤0,08 %.

^b As rolled strip or slit strip with rounded edges.

^c The coating shall be smooth, continuous and free from flux stains.

^d Where experience shows that the risk of corrosion and mechanical damage is extremely low, 16 mm² can be used.

^e This thickness is provided to withstand mechanical damage of copper coating during the installation process. It may

be reduced to not less than 100 μm where special precautions to avoid mechanical damage of copper during the installation process (e.g. drilled holes or special protective tips) are taken according to the manufacturer's instructions.

542.2.2 The efficacy of any earth electrode depends on its configuration and upon local soil conditions. One or more earth electrodes suitable for the soil conditions and the value of resistance to earth required shall be selected.

Annex D gives methods of estimation of earth electrode resistance.

542.2.3 The following are examples of earth electrodes which may be used:

- concrete-embedded foundation earth electrode;
NOTE For more information see Annex C.
- soil-embedded foundation earth electrode;
- metallic electrode embedded directly in soil vertically or horizontally (e.g. rods, wires, tapes, pipes or plates);
- metal sheath and other metal coverings of cables according to local conditions or requirements;
- other suitable underground metalwork (e.g. pipes) according to local conditions or requirements;
- welded metal reinforcement of concrete (except pre-stressed concrete) embedded in the earth.

542.2.4 When selecting the type and embedded depth of an earth electrode, consideration shall be given to possible mechanical damage and to local conditions to minimize the effect of soil drying and freezing.

542.2.5 Consideration shall be given to electrolytic corrosion when using different materials in an earthing arrangement. For external conductors (e.g. earthing conductor) connected to a concrete-embedded foundation earth electrode, the connection made from hot-dip galvanized steel shall not be embedded in the soil.

542.2.6 The earthing arrangement shall not rely on a metallic pipe for flammable liquids or gases as the earth electrode and their buried length shall not be considered when dimensioning the earth electrode.

NOTE This requirement does not preclude the protective equipotential bonding via the main earthing terminal (541.3.9) of such pipes for compliance with IEC 60364-4-41.

Where cathodic protection is applied and the exposed-conductive-part of an item of electrical equipment supplied by a TT system is directly connected to the pipe, a metallic pipe for flammable liquids or gases may act as the sole earth electrode for this specific equipment.

542.2.7 Earth electrodes shall not be directly immersed in water of a stream, river, pond, lake or the like (see also 542.1.6).

542.2.8 Where an earth electrode consists of parts that must be connected together, the connection shall be by exothermic welding, pressure connectors, clamps or other suitable mechanical connectors.

NOTE Connections made by a wrapped iron wire only are not suitable for protection purposes.

542.3 Earthing conductors

542.3.1 Earthing conductors shall comply with 543.1.1 or 543.1.2. Their cross-sectional area shall be not less than 6 mm² for copper or 50 mm² for steel. Where a bare earthing conductor

is buried in the soil, its dimensions and characteristics shall also be in accordance with Table 54.1.

Where no noticeable fault current is expected to flow through the earth electrode (e.g. in TN systems or IT systems), the earthing conductor may be dimensioned according to 544.1.

Aluminium conductors shall not be used as earthing conductors.

NOTE Where a lightning protection system is connected to the earth electrode, the cross-sectional area of the earthing conductor should be at least 16 mm² for copper (Cu) or 50 mm² for iron (Fe) (see the IEC 62305 series).

542.3.2 The connection of an earthing conductor to an earth electrode shall be soundly made and electrically satisfactory. The connection shall be by exothermic welding, pressure connectors, clamps or other suitable mechanical connectors. Mechanical connectors shall be installed in accordance with the manufacturer's instructions. Where a clamp is used, it shall not damage the electrode or the earthing conductor.

Connection devices or fittings that depend solely on solder shall not be used independently, as they do not reliably provide adequate mechanical strength.

NOTE Where vertical electrodes are installed, means may be provided to allow the inspection of the connection and the replacement of the vertical rod.

542.4 Main earthing terminal

542.4.1 In every installation where protective equipotential bonding is used, a main earthing terminal shall be provided and the following shall be connected to it:

- protective bonding conductors;
- earthing conductors;
- protective conductors;
- functional earthing conductors, if relevant.

NOTE 1 It is not intended to connect every individual protective conductor directly to the main earthing terminal where they are connected to this terminal by other protective conductors.

NOTE 2 The main earthing terminal of the building can generally be used for functional earthing purposes. For information technology purposes, it is then regarded as the connection point to the earth.

Where more than one earthing terminal is provided, they shall be interconnected.

542.4.2 Each conductor connected to the main earthing terminal shall be able to be disconnected individually. This connection shall be reliable and such that it can only be disconnected by means of a tool.

NOTE Disconnection means may conveniently be combined with the main earthing terminal, to permit measurement of the resistance of the earth electrode.

543 Protective conductors

NOTE Consideration should be given to requirements provided in Clause 516 of IEC 60364-5-51:2005.

543.1 Minimum cross-sectional areas

543.1.1 The cross-sectional area of every protective conductor shall satisfy the conditions for automatic disconnection of supply required in 411.3.2 of IEC 60364-4-41:2005 and be capable of withstanding mechanical and thermal stresses caused by the prospective fault current during the disconnection time of the protective device.

The cross-sectional area of a protective conductor shall either be calculated in accordance with 543.1.2, or selected in accordance with Table 54.2. In either case, the requirements of 543.1.3 shall be taken into account.

Terminals for protective conductors shall be capable of accepting conductors of dimensions required by this subclause.

In TT systems, where the earth electrodes of the supply system and of the exposed-conductive- parts are electrically independent (see 312.2.2), the cross-sectional area of protective conductors need not exceed:

- 25 mm² copper,
- 35 mm² aluminium.

**Table 54.2 – Minimum cross-sectional area of protective conductors
(where not calculated in accordance with 543.1.2)**

Cross-sectional area of line conductor, <i>S</i> mm ² Cu	Minimum cross-sectional area of the corresponding protective conductor mm ² Cu	
	If the protective conductor is of the same material as the line conductor	If the protective conductor is not of the same material as the line conductor
$S \leq 16$	S	$\frac{k_1}{k_2} \times S$
$16 < S \leq 35$	16 ^a	$\frac{k_1}{k_2} \times 16$
$S > 35$	$\frac{S}{2}$ ^a	$\frac{k_1}{k_2} \times \frac{S}{2}$

where

k_1 is the value of k for the line conductor derived from the formula in Annex A or selected from tables in IEC 60364-4-43, according to the materials of the conductor and insulation;

k_2 is the value of k for the protective conductor, selected from Tables A.54.2 to A.54.6 as applicable.

^a For a PEN conductor, the reduction of the cross-sectional area is permitted only in accordance with the rules for sizing of the neutral conductor (see IEC 60364-5-52).

543.1.2 The cross-sectional areas of protective conductors shall be not less than the value determined either:

- in accordance with IEC 60949; or
- by the following formula applicable only for disconnection times not exceeding 5 s:

$$S = \frac{\sqrt{I^2 t}}{k}$$

where

- S is the cross-sectional area in mm²;
- I is the r.m.s value expressed in amperes of prospective fault current, for a fault of negligible impedance, which can flow through the protective device (see IEC 60909-0);
- t is the operating time in seconds of the protective device for automatic disconnection;
- k is the factor dependent on the material of the protective conductor, the insulation and other parts and the initial and final temperatures (for calculation of k , see Annex A).

Where the application of the formula produces a non-standard size, a conductor having at least the nearest larger standard cross-sectional area shall be used.

NOTE 1 Account should be taken of the current-limiting effect of the circuit impedances and the limitation of I^2t of the protective device.

NOTE 2 For limitations of temperatures for installations in potentially explosive atmospheres, see IEC 60079-0.

NOTE 3 As the metallic sheaths of mineral-insulated cables according to IEC 60702-1 have an earth fault capacity greater than that of the line conductors, it is not necessary to calculate the cross-sectional area of the metallic sheaths when used as protective conductors.

543.1.3 The cross-sectional area of every protective conductor which does not form part of a cable or which is not in a common enclosure with the line conductor shall be not less than

- 2,5 mm² Cu or 16 mm² Al if protection against mechanical damage is provided,
- 4 mm² Cu or 16 mm² Al if protection against mechanical damage is not provided.

NOTE The use of steel for a protective conductor is not excluded (see 543.1.2).

A protective conductor not forming part of a cable is considered to be mechanically protected if it is installed in a conduit, trunking or protected in a similar way.

543.1.4 Where a protective conductor is common to two or more circuits, its cross-sectional area shall be:

- calculated in accordance with 543.1.2 for the most onerous prospective fault current and operating time encountered in these circuits; or
- selected in accordance with Table 54.2 so as to correspond to the cross-sectional area of the largest line conductor of the circuits.

543.2 Types of protective conductors

543.2.1 Protective conductors may consist of one or more of the following:

- conductors in multicore cables;
- insulated or bare conductors in a common enclosure with live conductors;
- fixed installed bare or insulated conductors;
- metallic cable sheath, cable screen, cable armour, wirebraid, concentric conductor, metallic conduit, subject to the conditions stated in 543.2.2. a) and b).

NOTE See 543.8 for their arrangement.

543.2.2 Where the installation contains equipment having metal enclosures such as low-voltage switchgear and controlgear assemblies (see IEC 61439-1 and IEC 61439-2) or busbar trunking systems (see IEC 60439-2), their metal enclosures or frames may be used as protective conductors if they simultaneously satisfy the following three requirements:

- a) their electrical continuity shall be assured by construction or by suitable connection so as to ensure protection against mechanical, chemical or electrochemical deterioration;
- b) they comply with the requirements of 543.1;
- c) they shall permit the connection of other protective conductors at every predetermined tap-off point.

543.2.3 The following metal parts are not permitted for use as protective conductors or as protective bonding conductors:

- metallic water pipes;
- metallic pipes containing potentially flammable materials such as gases, liquids, powder;

NOTE 1 For cathodic protection, see 542.2.6.

- constructional parts subject to mechanical stress in normal service;
- flexible or pliable metal conduits, unless designed for that purpose;
- flexible metal parts;
- support wires; cable trays and cable ladders.

NOTE 2 Examples of a protective conductor include a protective bonding conductor, a protective earthing conductor and an earthing conductor when used for protection against electric shock.

543.3 Electrical continuity of protective conductors

543.3.1 Protective conductors shall be suitably protected against mechanical damage, chemical or electrochemical deterioration, electrodynamic forces and thermodynamic forces.

Every connection (e.g. screwed connections, clamp connectors) between protective conductors or between a protective conductor and other equipment shall provide durable electrical continuity and adequate mechanical strength and protection. Screws for connecting protective conductors shall not serve any other purpose.

Joints shall not be made by soldering.

NOTE All electrical connections should have satisfactory thermal capacity and mechanical strength to withstand any combination of current/time which may occur in the conductor or in the cable/enclosure with the largest cross-sectional area.

543.3.2 Joints in protective conductors shall be accessible for inspection and testing except for

- compound-filled joints,
- encapsulated joints,
- joints in metal conduits, ducting and busbar trunking systems,
- joints forming part of equipment, complying with equipment standards,
- joints made by welding or brazing,
- joints made by compression tool.

543.3.3 No switching device shall be inserted in the protective conductor, but joints which can be disconnected for test purposes by use of a tool may be provided.

543.3.4 Where electrical monitoring of earthing is used, dedicated devices (e.g. operating sensors, coils, current transformers) shall not be connected in series in protective conductors.

543.3.5 Exposed-conductive-parts of electrical equipment shall not be used to form part of the protective conductor for other equipment except as allowed by 543.2.2.

543.4 PEN, PEL or PEM conductors

NOTE As these conductors serve two functions, as PE- and either as N-, L- or M-conductors, all applicable requirements for the relevant functions should be considered.

543.4.1 A PEN, PEL or PEM conductor may only be used in fixed electrical installations and, for mechanical reasons, shall have a cross-sectional area not less than 10 mm² copper or 16 mm² aluminium.

NOTE 1 For EMC reasons, the PEN conductor should not be installed downstream of the origin of the installation (see 444.4.3.2 of IEC 60364-4-44:2007).

NOTE 2 IEC 60079-14 does not permit the use of a PEN, PEL or PEM conductor in explosive atmospheres.

543.4.2 The PEN, PEL or PEM conductor shall be insulated for the rated voltage of the line conductor.

Metallic enclosures of wiring systems shall not be used as PEN, PEL or PEM conductors, except for busbar trunking systems complying with IEC 60439-2 and for powertrack systems complying with IEC 61534-1.

NOTE Product committees should consider the potential effect of EMI introduced into the equipment from a PEN, PEL or PEM conductor.

543.4.3 If, from any point of the installation, the neutral/mid-point/line and protective functions are provided by separate conductors, it is not permitted to connect the neutral/mid-point/line conductor to any other earthed part of the installation. However, it is permitted to form more than one neutral/mid-point/line conductor and more than one protective conductor from the PEN, PEL or PEM conductor respectively.

The PEN, PEL or PEM conductor shall be connected to the terminal or bar intended for the protective conductors (see Figure 54.1a), unless there is a specific terminal or bar intended for the connection of the PEN, PEL or PEM conductor (examples are given in Figures 54.1b and 54.1c).

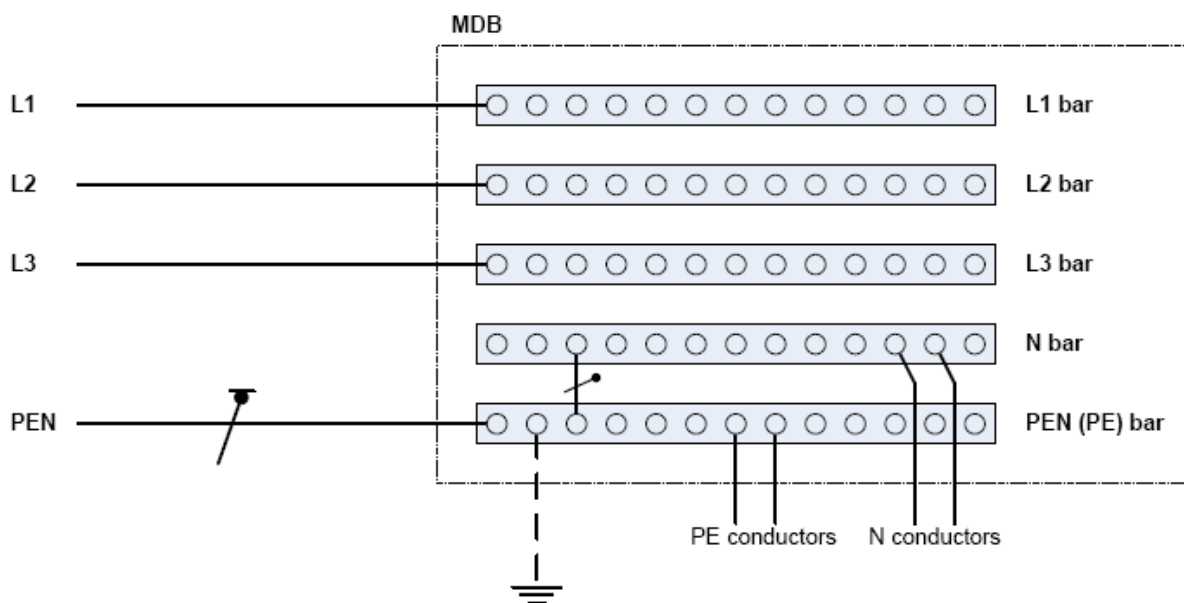
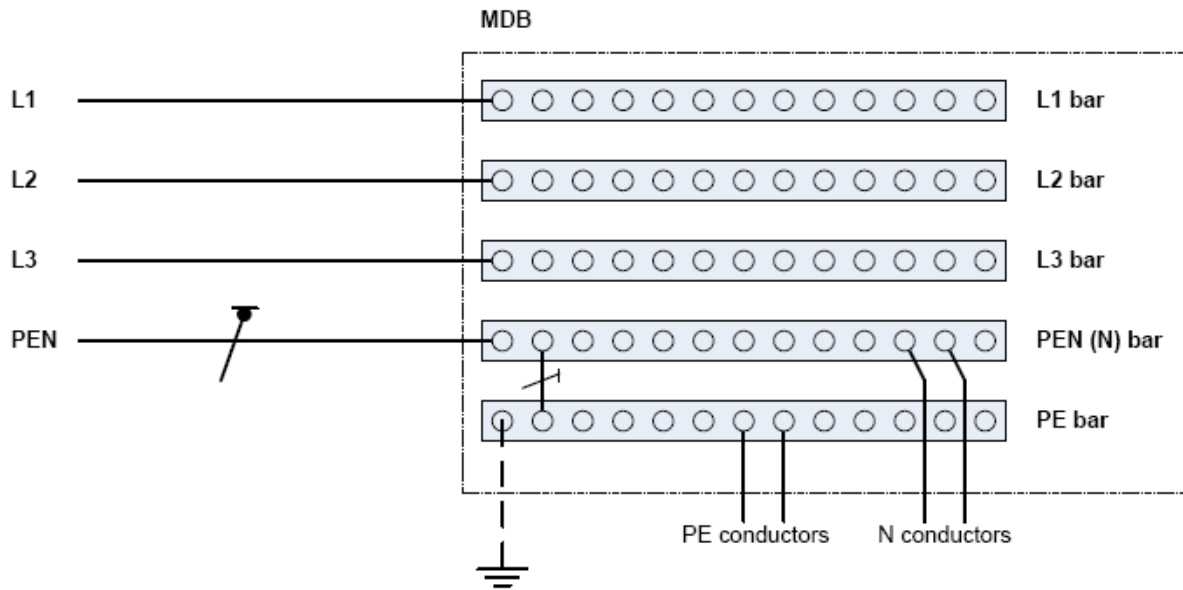
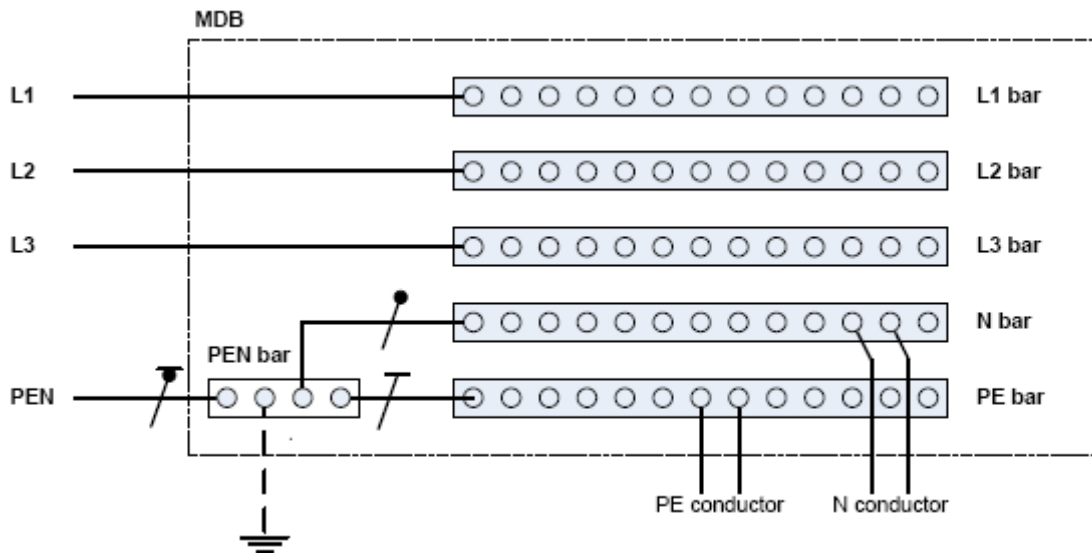


Figure 54.1a – Example 1



IEC 524/11

Figure 54.1b – Example 2



IEC 525/11

Figure 54.1c – Example 3

Key

MDB main distribution board

Figure 54.1 – Examples of a PEN conductor connection

NOTE In systems supplied with SELV direct current, e.g. telecommunication systems, there is no PEL or PEM conductor.

543.4.4 Extraneous-conductive-parts shall not be used as PEN, PEL or PEM conductors.

543.5 Combined protective and functional earthing conductors

Where a combined protective and functional earthing conductor is used, it shall satisfy the requirements for a protective conductor. In addition, it shall also comply with the relevant functional requirements (see Clause 444 of IEC 60364-4-44:2007).

A d.c. return conductor PEL or PEM for an information technology power supply may also serve as a combined functional earthing and protective conductor.

NOTE For further information, see 7.5.3.1 of IEC 61140:2001.

543.6 Currents in protective earthing conductors

The protective earthing conductor should not be used as a conductive path for current under normal operating conditions (e.g. connection of filters for EMC-reasons), see also IEC 61140. Where the current exceeds 10 mA under normal operating conditions, a reinforced protective conductor shall be used (see 543.7).

NOTE Capacitive leakage currents, e.g. by cables or motors, should be reduced by the design of the installation and the equipment.

543.7 Reinforced protective earthing conductors for protective earthing conductor currents exceeding 10 mA

For current-using equipment intended for permanent connection and with a protective earthing conductor current exceeding 10 mA the following applies:

- where the current-using equipment has only one protective earthing terminal, the protective earthing conductor shall have a cross-sectional area of at least 10 mm² Cu or 16 mm² Al, through its total run;

NOTE 1 A PEN, PEL or PEM conductor in accordance with 543.4 complies with this requirement.

- where the current-using equipment has a separate terminal for a second protective earthing conductor a second protective earthing conductor of at least the same cross-sectional area as required for fault protection shall be run from a point where the protective earthing conductor has a cross-sectional area not less than 10 mm² Cu or 16 mm² Al.

NOTE 2 In TN-C systems where the neutral and protective conductors are combined in a single conductor (PEN conductor) up to the equipment terminals, protective conductor current may be treated as load current.

NOTE 3 Current-using equipment normally having high protective conductor current may not be compatible with installations incorporating residual current protective devices.

543.8 Arrangement of protective conductors

Where overcurrent protective devices are used for protection against electric shock, the protective conductor shall be incorporated in the same wiring system as the live conductors or be located in their immediate proximity.

544 Protective bonding conductors

544.1 Protective bonding conductors for connection to the main earthing terminal

Protective bonding conductors for connection to the main earthing terminal shall have a cross-sectional area not less than half the cross-sectional area of the largest protective earthing conductor within the installation and not less than:

- 6 mm² copper; or
- 16 mm² aluminium; or
- 50 mm² steel.

The cross-sectional area of protective bonding conductors for connection to the main earthing terminal need not exceed 25 mm² Cu or an equivalent cross-sectional area for other materials.

544.2 Protective bonding conductors for supplementary bonding

544.2.1 A protective bonding conductor connecting two exposed-conductive-parts shall have a conductance not less than that of the smaller protective conductor connected to the exposed-conductive-parts.

544.2.2 A protective bonding conductor connecting exposed-conductive-parts to extraneous-conductive-parts shall have a conductance not less than half that of the cross-sectional area of the corresponding protective conductor.

544.2.3 The minimum cross-sectional area of protective bonding conductors for supplementary bonding, and of bonding conductors between two extraneous-conductive-parts, shall be in accordance with 543.1.3.

Annex A (normative)

Method for deriving the factor k in 543.1.2 (see also IEC 60724 and IEC 60949)

The factor k is determined from the following formula:

$$k = \sqrt{\frac{Q_c(\beta + 20)}{\rho_{20}} \ln\left(\frac{\beta + \theta_f}{\beta + \theta_i}\right)}$$

where

- Q_c is the volumetric heat capacity of conductor material (J/K mm³) at 20 °C;
- β is the reciprocal of temperature coefficient of resistivity at 0 °C for the conductor (°C);
- ρ_{20} is the electrical resistivity of conductor material at 20 °C (Ωmm);
- θ_i initial temperature of conductor (°C);
- θ_f final temperature of conductor (°C).

Table A.54.1 – Value of parameters for different materials

Material	β^a °C	Q_c^a J/°Cmm ³	ρ_{20}^a Ωmm	$\sqrt{\frac{Q_c(\beta + 20)}{\rho_{20}}}$ $A\sqrt{s}/\text{mm}^2$
Copper	234,5	$3,45 \times 10^{-3}$	$17,241 \times 10^{-6}$	226
Aluminium	228	$2,5 \times 10^{-3}$	$28,264 \times 10^{-6}$	148
Steel	202	$3,8 \times 10^{-3}$	138×10^{-6}	78

^a Values taken from IEC 60949.

Table A.54.2 – Values of k for insulated protective conductors not incorporated in cables and not bunched with other cables

Conductor insulation	Temperature °C ^b		Material of conductor		
	Initial	Final	Copper	Aluminium	Steel
			Values for k ^c		
70 °C thermoplastic (PVC)	30	160/140 ^a	143/133 ^a	95/88 ^a	52/49 ^a
90 °C thermoplastic (PVC)	30	160/140 ^a	143/133 ^a	95/88 ^a	52/49 ^a
90 °C thermosetting (e.g. XLPE and EPR)	30	250	176	116	64
60 °C thermosetting (EPR rubber)	30	200	159	105	58
85 °C thermosetting (EPR rubber)	30	220	166	110	60
185 °C thermosetting (silicone rubber)	30	350	201	133	73

^a The lower value applies to thermoplastic (e.g. PVC) insulated conductors of cross-sectional area greater than 300 mm².

^b Temperature limits for various types of insulation are given in IEC 60724.

^c For the method of calculating k , see the formula at the beginning of this annex.

Table A.54.3 – Values of k for bare protective conductors in contact with cable covering but not bunched with other cables

Cable covering	Temperature °C ^a		Material of conductor		
	Initial	Final	Copper	Aluminium	Steel
			Values for k ^b		
Thermoplastic (PVC) polyethylene CSP ^c	30	200	159	105	58
	30	150	138	91	50
	30	220	166	110	60

^a Temperature limits for various types of insulation are given in IEC 60724.

^b For the method of calculating k , see the formula at the beginning of this annex.

^c CSP = Chloro-Sulphonated Polyethylene

Table A.54.4 – Values of k for protective conductors as a core incorporated in a cable or bunched with other cables or insulated conductors

Conductor insulation	Temperature °C ^b		Material of conductor		
			Copper	Aluminium	Steel
	Initial	Final	Values for k ^c		
70 °C thermoplastic (PVC)	70	160/140 ^a	115/103 ^a	76/68 ^a	42/37 ^a
90 °C thermoplastic (PVC)	90	160/140 ^a	100/86 ^a	66/57 ^a	36/31 ^a
90 °C thermosetting (e.g. XLPE and EPR)	90	250	143	94	52
60 °C thermosetting (rubber)	60	200	141	93	51
85 °C thermosetting (rubber)	85	220	134	89	48
185 °C thermosetting (silicone rubber)	180	350	132	87	47

^a The lower value applies to thermoplastic (e.g. PVC) insulated conductors of cross-sectional area greater than 300 mm².

^b Temperature limits for various types of insulation are given in IEC 60724.

^c For the method of calculating k , see the formula at the beginning of this annex

Table A.54.5 – Values of k for protective conductors as a metallic layer of a cable, e.g. armour, metallic sheath, concentric conductor, etc.

Conductor insulation	Temperature °C ^a		Material of conductor		
	Initial	Final	Copper	Aluminium	Steel
			Values for k ^c		
70 °C thermoplastic (PVC)	60	200	141	93	51
90 °C thermoplastic (PVC)	80	200	128	85	46
90 °C thermosetting (e.g. XLPE and EPR)	80	200	128	85	46
60 °C thermosetting (rubber)	55	200	144	95	52
85 °C thermosetting (rubber)	75	220	140	93	51
Mineral thermoplastic (PVC) covered ^b	70	200	135	–	–
Mineral bare sheath	105	250	135	–	–

^a Temperature limits for various types of insulation are given in IEC 60724.

^b This value shall also be used for bare conductors exposed to touch or in contact with combustible material.

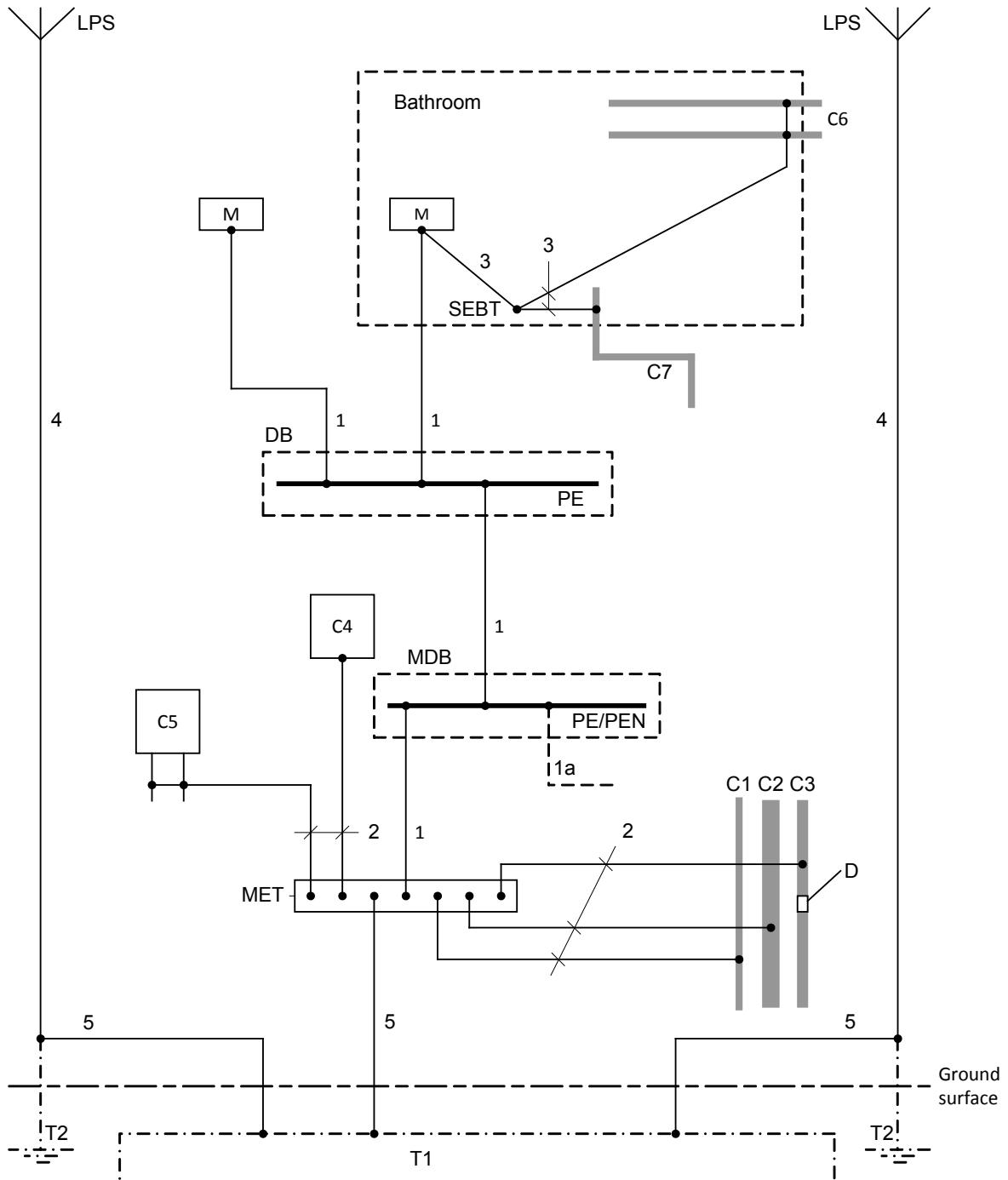
^c For the method of calculating k , see the formula at the beginning of this annex.

Table A.54.6 – Values of k for bare conductors where there is no risk of damage to any neighbouring material by the temperature indicated

Conditions	Initial temperature °C	Material of conductor					
		Copper		Aluminium		Steel	
		Maximum temperature (final temperature) °C	k value	Maximum temperature (final temperature) °C	k value	Maximum temperature (final temperature) °C	k value
Visible and in restricted area	30	500	228	300	125	500	82
Normal conditions	30	200	159	200	105	200	58
Fire risk	30	150	138	150	91	150	50

Annex B (informative)

Example of earthing arrangements and protective conductors



IEC 526/11

Key

Symbol	Name	Remark
C	Extraneous-conductive-part	
C1	Water pipe, metal from outside	Or district heating pipe
C2	Waste water pipe, metal from outside	
C3	Gas pipe with insulating insert, metal from outside	
C4	Air-conditioning	
C5	Heating system	
C6	Water pipe, metal e.g. in a bathroom	See IEC 60364-7-701 701.415.2:2006
C7	Waste water pipe, metal e.g. in a bathroom	See IEC 60364-7-701 701.415.2 dated 2006
D	Insulating insert	
MDB	Main distribution board	
DB	Distribution board	Supplied from the main distribution board
MET	Main earthing terminal	See 542.4
SEBT	Supplementary equipotential bonding terminal	
T1	Concrete-embedded foundation earth electrode or soil-embedded foundation earth electrode	See 542.2
T2	Earth electrode for LPS if necessary	See 542.2
LPS	Lightning protection system (if any)	
PE	PE terminal(s) in the distribution board	
PE/PEN	PE/PEN terminal(s) in the main distribution board	
M	Exposed-conductive-part	
1	Protective earthing conductor (PE)	See Clause 543 Cross-sectional area see 543.1 Type of protective conductor see 543.2 Electrical continuity see 543.3
1a	Protective conductor, or PEN conductor, if any, from supplying network	
2	Protective bonding conductor for connection to the main earthing terminal	See 544.1
3	Protective bonding conductor for supplementary bonding	See 544.2
4	Down conductor of a lightning protection system (LPS) if any	
5	Earthing conductor	See 542.3

Where a lightning protection system is installed, the additional requirements are given in Clause 6 of IEC 62305-3:2006, in particular those given in 6.1 and 6.2.

NOTE Functional earthing conductors are not shown in Figure B.54.1.

Figure B.54.1 – Examples of earthing arrangements for foundation earth electrode, protective conductors and protective bonding conductors

Annex C (informative)

Erection of concrete-embedded foundation earth electrodes

C.1 General

Concrete used for the foundations of buildings has a certain conductivity and generally a large contact area with the soil. Therefore bare metal electrodes completely embedded in concrete can be used for earthing purposes, unless the concrete is isolated from the soil by use of a special thermal insulation or other measures. Due to chemical and physical effects, bare or hot-dip galvanized steel and other metals embedded in concrete to a depth of more than 5 cm are highly protected against corrosion, normally for the whole life-time of the building. Wherever possible, the conductive effects of the reinforcement of the building should also be used.

The production of a concrete-embedded foundation earth electrode during the erection of the building may be an economical solution to obtain a good earth electrode of long standing because

- it does not necessitate additional excavation works,
- it is erected at a depth which is normally free from negative influences resulting from seasonal weather conditions,
- it provides a good contact with the soil,
- it extends over practically all of the building's foundation surface and results in the minimum earth electrode impedance which can be obtained with this surface,
- it provides an optimal earthing arrangement for lightning protection system purposes, and
- from the beginning of the erection of the building, it can be used as an earth electrode for the electrical installation of the construction site.

Besides its earthing effect, the concrete-embedded foundation earth electrode provides a good basis for the main protective bonding.

The following requirements and advice for the erection of a concrete-embedded foundation earth electrode apply.

C.2 Other considerations regarding the use of concrete-embedded foundation earth electrodes

If the building foundation is to be completely protected against loss of heat energy by insulating it using non-conductive materials, or if the foundation is to use certain insulating measures against water, e.g. using plastic sheets of more than 0,5 mm thickness, earthing using the foundation concrete is not viable. In such cases, the positive effect of metal reinforcement for protective bonding may be used, and for earthing purposes another earthing arrangement should be used, e.g. an additional concrete-embedded foundation earth electrode below the isolated foundation, or an earthing arrangement around the building or a soil-embedded foundation earth electrode.

C.3 Construction of concrete-embedded foundation earth electrodes

C.3.1 For concrete foundations without metal reinforcement, the concrete-embedded foundation earth electrodes must be coordinated with the type and dimensions of the foundation. One or more closed ring(s) or rectangles with dimensions up to 20 m and mutually connected are preferred.

C.3.2 To avoid embedding of the electrodes in concrete at less than 5 cm depth, suitable means for the distance of the electrode wiring above the ground should be used. If strips are used as electrodes, they should be fixed set up on edge to avoid holes without concrete under the strip. If reinforcement is present, the wiring should be fixed to it at intervals of not more than 2 m. The connections should be made in accordance with 542.3.2. The use of keyed joints should be avoided.

C.3.3 The wiring of the concrete-embedded foundation earth electrode should have at least one terminal lug for connection to the electrical system of the building, either leaving the concrete inside the building to a suitable connection point (e.g. to the main earthing terminal) or ending at a special connection clamp embedded in concrete of a wall at its surface. At the point of connection, the terminal lug must be accessible for maintenance and measuring purposes.

For lightning protection and for buildings with special requirements concerning information technology, more than one terminal lug of the foundation earth electrode, e.g. for lightning protection system down-conductors, may be needed.

For connections needed outside the foundation concrete going through the soil, corrosion problems for steel wires need to be taken into account (see Clause C.4). For such connections, it is recommended that they should enter the concrete within the building, or outside at a suitable level above ground level.

C.3.4 For the minimum cross-sectional area of electrodes including terminal lugs, the values mentioned in Table 54.1 apply. Connections must be soundly made and electrically satisfactory (see 542.3.2).

C.3.5 Metal reinforcement of the foundations of the building may be used as an electrode provided it is soundly connected according to 542.3.2. For welded connections the permission of the responsible person for the structural design and analysis of the construction of the building is required. Connections made by a wrapped iron wire only are not suitable for protection purposes, but may be sufficient for EMC purposes for information technology. Pre-stressed reinforcement must not be used as an electrode.

If welded grids made from wires of smaller diameter are used for the reinforcement, it is possible to use them as electrodes provided they are soundly connected at more than one different point to the terminal lug or other parts of the electrode to provide at least the same cross-sectional area as required in Table 54.1. The minimum diameter of the single wires of such grids should be 5 mm with at least four connections between the terminal lug and the grid at several points of each grid.

C.3.6 The wiring of the electrodes should not go over joints between different parts of larger foundations. At such places, suitable malleable connectors should be installed outside the concrete to provide the necessary electrical connections.

C.3.7 Concrete-embedded foundation earth electrodes of single foundations (e.g. for the construction of large halls) should be connected to other parts of the concrete-embedded foundation earth electrode by using suitable earthing conductors. For embedding such connections in the soil see Clause C.4.

C.4 Possible corrosion problems for other earthed installations outside concrete-embedded foundation earth electrodes

Attention is drawn to the fact that ordinary steel (bare or hot-dip galvanized) embedded in concrete results in an electrochemical potential equal to that of copper embedded in the soil. Consequently, there is a danger of electrochemical corrosion occurring to other earthing arrangements made from steel embedded in the soil near the foundation and being in

connection with a concrete-embedded foundation earth electrode. This effect can also be found with reinforced foundations of large buildings.

Any steel electrode must not be installed directly from foundation concrete into the soil except for electrodes made from stainless steel or otherwise well protected by suitable prefabricated protection against humidity. Hot-dip galvanized covering or protection by painting or other similar materials later on is not sufficient for such purposes. Additional earthing arrangements around and near such buildings should be made from other than hot-dip galvanized steel so as to provide a sufficient life-time for this part of the earthing arrangement.

C.5 Completion of concrete-embedded foundation earth electrodes

C.5.1 After preparing the electrodes and/or the connected reinforcement, but before the concrete is poured, a survey and documented record of the arrangement should be made by a skilled person. The documentation should contain a description, plans and photos and should form a part of the whole documentation for the electrical installation (see IEC 60364-6).

C.5.2 Concrete used for the foundation should be made from at least 240 kg cement per m³ concrete. The concrete must have a suitable semi-liquid consistency to fill all holes below the electrodes.

Annex D (informative)

Erection of soil-embedded earth electrodes

D.1 General

Earth electrode resistance depends on its dimensions, its shape and on the soil resistivity in which it is embedded. This resistivity often varies from one place to another and in accordance with depth.

Resistivity of a soil is expressed in Ωm : numerically, it is the resistance in Ω of a cylinder of ground with a cross-sectional area of 1 m^2 a length of 1 m .

The aspect of surface and vegetation may give some indication of the more or less favourable characteristics of a soil for the implementation of an earth electrode. Where available results of measurements on earth electrodes installed in similar soil provides a better indication.

Soil resistivity depends on its humidity and on its temperature, both of which vary throughout the year. Humidity itself is influenced by the soil granulation and its porosity. In practice, the soil resistivity increases when humidity decreases.

Ground layers where water streams may go across, as found close to rivers, are rarely appropriate for the implementation of earth electrodes. In reality, these layers are composed of stony ground, are very permeable and become easily waterlogged by water itself purified by natural filtration and presenting high resistivity. Deep rods should be driven in order to reach deeper soils that may have better conductivity.

Frost considerably increases soil resistivity, which may reach several thousands of Ωm in the frozen layer. The thickness of this frozen layer may be 1 m or more in some areas.

Dryness also increases the soil resistivity. Drought effect can be found in some areas up to a depth of 2 m . Resistivity values in such circumstances can be of the same order as those occurring during times of frost.

D.2 Soil resistivity

Table D.54.1 gives information on resistivity values for certain types of soil.

Table D.54.2 indicates that resistivity may vary in large proportion, for the same type of soil.

Table D.54.1 – Resistivity for types of soil

Nature of ground	Resistivity Ωm
Marshy ground	From some units to 30
Alluvium	20 to 100
Humus	10 to 150
Damp peat	5 to 100
Malleable clay	50
Marl and compact clay	100 to 200
Jurassic marl	30 to 40
Clayey sand	50 to 500
Siliceous sand	200 to 3 000
Bare stony soil	1 500 to 3 000
Stony soil covered with lawn	300 to 500
Soft limestone	100 to 300
Compact limestone	1 000 to 5 000
Cracked limestone	500 to 1 000
Schist	50 to 300
Mica-schist	800
Granite and sandstone according to weathering	1 500 to 10 000
Granite and very altered sandstone	100 to 600

To enable a first approximation of the earth electrode resistance, a calculation may be made, using the average values indicated in Table D.54.2.

It is obvious that calculations made from these values only give a very approximate result of an earth electrode resistance. After having used the formula given in Clause D.3, the measurement of this resistance may allow an estimation of the average resistivity value of the ground. Such knowledge may be useful for further works done in similar conditions.

Table D.54.2 – Variation of the resistivity for different types of soil

Nature of soil	Average value of resistivity Ωm
Slimy arable soil, damp compact embankment	50
Poor arable ground, gravel, rough embankment	500
Bare stony ground, dry sand, impermeable rocks	3 000

D.3 Earth electrodes buried in the soil

D.3.1 Constituent parts

Earth electrodes may consist of buried elements of

- steel, hot-dip galvanized,
- steel copper-sheathed,
- steel with electro-deposited copper coating,

- stainless steel,
- bare copper.

Joints between metals of different nature shall not be in contact with the soil. Generally other metals and alloys should not be used.

Minimum thickness and diameters of the following parts consider usual risks of chemical and mechanical deterioration. However, these dimensions may not be sufficient in situations where significant risks of corrosion are present. Such risks may be encountered in soils where stray currents circulate, for instance return d.c. currents of electric traction or in the proximity of installations for cathodic protection. In such a case special precautions have to be taken.

Earth electrodes should be embedded, in the most humid parts of the available soil. They shall be kept away from garbage dumps where percolation of for example dung, liquid manure, chemical product, coke, etc. may corrode them and be erected, as far as possible, well away from busy locations.

D.3.2 Assessment of earth electrode resistance

a) Horizontally buried conductor

The earth electrode resistance (R) realized with a horizontally buried conductor (see 542.2.3 and Table 54.1), may be approximated from the formula:

$$R = 2 \frac{\rho}{L}$$

where ρ is the resistivity of the soil (in Ωm) and L is the length of the trench occupied by the conductors (in m).

It should be noted that the laying of conductor with a sinuous path in the trench does not noticeably improve the resistance of the earth electrode.

In practice, these conductors are laid down in two different ways:

- foundation earth electrode of the building: these earth electrodes are made of a foundation loop around the whole perimeter of the building. The length to be considered is the building perimeter;
- horizontal trenches: conductors are buried at a depth of about 1 m in trenches dug for this purpose.

Trenches should not be backfilled with stones, cinders or similar materials, but with earth liable to retain moisture.

b) Buried plates

To maintain good contact of the two surfaces with the soil, full plates should preferably be arranged vertically.

Plates should be buried in such a way that their top edge is situated at approximately 1 m depth.

The resistance (R) of a buried plate earth electrode at a sufficient depth is approximately equal to:

$$R = 0,8 \frac{\rho}{L}$$

where ρ is the resistivity of the soil (in Ωm) and L is the perimeter of the plate (in m).

c) Vertically buried electrodes

The resistance (R) of a vertically buried earth electrode (see 542.2.3 and Table 54.1) may be approximated from the formula:

$$R = \frac{\rho}{L}$$

where ρ is the resistivity of the soil (in Ωm) and L is the length of the rod or pipe (in m).

Where risk of frost or dryness exists the length of rods should be increased by 1 m or 2 m.

It is possible to reduce the value of the earth electrode resistance by driving several vertical rods connected in parallel, separated from each other by one rod length, in the case of two rods, and by more if there are more than two rods.

Attention is drawn to the fact that, where extra long rods can be driven, as the ground is rarely homogeneous such rods may reach ground layers with low or negligible resistivity.

D.4 Metallic pillar as earth electrodes

Metallic pillars interconnected by a metallic structure and buried at a certain depth in the ground, may be used as earth electrode.

The resistance (R) of a buried metallic pillar may be approximately calculated with the formula:

$$R = 0,366 \frac{\rho}{L} \log_{10} \frac{3L}{d}$$

where

L is the buried length of the pillar (in m);

d is the diameter of the cylinder circumscribed to the pillar (in m);

ρ is the ground resistivity (in Ωm).

A set of interconnected pillars located around a building has a resistance of the same order as that of a foundation earth electrode.

The eventual embedding of concrete does not prevent the use of pillars as earth electrodes and does not appreciably modify the earth electrode resistance.

.....

Annex E
(informative)

List of notes concerning certain countries

Country	Clause N°	Rationale (detailed justification for the requested country note)	Wording																							
BE	541.3.3, 541.3.4, 542	The wiring rules (Art. 69) do not permit the use of an earth electrode according to the definitions IEV 826-13-05 or IEV 826-13-08 (modified in 541.3.4 or 541.3.5). The definition given in the "Wording" column is consistent with the IEV definition 826-04-02:2004 or 604-04-03:1987	In Belgium, an earth electrode shall conform to the following definition: a conductive part or a group of conductive parts connected together which are buried in the soil and provide an electrical connection with earth.																							
DE	542.1.1		In Germany, there is an obligation to erect in every new building a foundation earth electrode according to National Standard DIN 18014.																							
IE	542.2.1		This note does not apply in Ireland																							
SI	542.2.1 542.3.1		In Slovenia the minimum cross-sectional area for steel solid tape or strip as earth electrode or earthing conductor is 100 mm ² .																							
CZ	542.2.1		In the Czech Republic, besides the steel electrodes which accord with Table 54.1, the minimum size steel earth electrodes whose corrosion and mechanical strength, when embedded in the soil, has a resistivity higher than 50 Ωm, are as shown in the following table: Minimum size of steel earth electrodes in soil with resistivity higher than 50 Ω																							
<table border="1"> <thead> <tr> <th rowspan="2">Type of earth electrode</th> <th rowspan="2">Shape</th> <th colspan="2">Minimum dimensions</th> </tr> <tr> <th>Zinc coated steel</th> <th>Bare steel (without coating)</th> </tr> </thead> <tbody> <tr> <td rowspan="2">Strip or round wire earth electrode</td> <td>Strip</td> <td>According to Table 54.1</td> <td>Cross-sectional area 150 mm², thickness 4 mm</td> </tr> <tr> <td>Steel wire</td> <td>Ø 8 mm</td> <td>Ø 10 mm</td> </tr> <tr> <td rowspan="3">Rod with vertical extension</td> <td>Round rod</td> <td>Ø 8 mm</td> <td>Ø 10 mm</td> </tr> <tr> <td>Pipe</td> <td>Ø 15 mm, pipe wall thickness 3 mm</td> <td>Ø 15 mm, pipe wall thickness 4 mm</td> </tr> <tr> <td>Steel angle, etc.</td> <td>Cross-sectional area 100 mm² angle wall thickness 3 mm</td> <td>Cross-sectional area 150 mm² angle wall thickness 4 mm</td> </tr> </tbody> </table>				Type of earth electrode	Shape	Minimum dimensions		Zinc coated steel	Bare steel (without coating)	Strip or round wire earth electrode	Strip	According to Table 54.1	Cross-sectional area 150 mm ² , thickness 4 mm	Steel wire	Ø 8 mm	Ø 10 mm	Rod with vertical extension	Round rod	Ø 8 mm	Ø 10 mm	Pipe	Ø 15 mm, pipe wall thickness 3 mm	Ø 15 mm, pipe wall thickness 4 mm	Steel angle, etc.	Cross-sectional area 100 mm ² angle wall thickness 3 mm	Cross-sectional area 150 mm ² angle wall thickness 4 mm
Type of earth electrode	Shape	Minimum dimensions																								
		Zinc coated steel	Bare steel (without coating)																							
Strip or round wire earth electrode	Strip	According to Table 54.1	Cross-sectional area 150 mm ² , thickness 4 mm																							
	Steel wire	Ø 8 mm	Ø 10 mm																							
Rod with vertical extension	Round rod	Ø 8 mm	Ø 10 mm																							
	Pipe	Ø 15 mm, pipe wall thickness 3 mm	Ø 15 mm, pipe wall thickness 4 mm																							
	Steel angle, etc.	Cross-sectional area 100 mm ² angle wall thickness 3 mm	Cross-sectional area 150 mm ² angle wall thickness 4 mm																							

Country	Clause N°	Rationale (detailed justification for the requested country note)	Wording
CZ	542.2.1		In the Czech Republic, metal plates are only used as earth electrodes in certain cases.
US	542.2.1	The requirements in the US for the minimum size of earth electrode rods are different from those given in Table 54.1	In the US, the minimum diameter for earth electrodes of iron or steel is 15,87 mm (= 0,625 in), regardless of plating or coating. If certified for the use, stainless steel or nonferrous rods may be no less than 13 mm (0,519 in).
NL	542.2.2		In the Netherlands, a single interruption in the earthing arrangement shall not lead to a touch voltage in the installation (connected to this earthing arrangement) that does not comply with Clause 411.
NL	542.2.2		In the Netherlands, the earth electrodes and associated conductors shall be installed at a depth of at least 60 cm. The conductors of an earthing arrangement laid in a loop, or having a circular shape, shall be installed with a distance between them of at least 1 m.
AT	542.2.3		In Austria, water pipes are not permitted as earth electrodes.
BE	542.2.3		In Belgium, water pipes are not permitted as earth electrodes.
CH	542.2.3		In Switzerland, water pipes are not permitted as earth electrodes.
DE	542.2.3		In Germany, water pipes are not permitted as earth electrodes.
FI	542.2.3		In Finland, water pipes are not permitted as earth electrodes.
IE	542.2.3		In Ireland, water pipes are not permitted as earth electrodes.
IS	542.2.3		In Iceland, water pipes are not permitted as earth electrodes.
FR	542.2.3		In France, water pipes are not permitted as earth electrodes.
SE	542.2.3		In Sweden, water pipes are not permitted as earth electrodes.
UK	542.2.3		In the UK, a metallic pipe forming part of a water utility supply may not be used as an earth electrode.
IT	542.2.3		In Italy, it is permitted to use a water pipe system, but only with the consent of the water distributor.
PL	542.2.3		In Poland, it is permitted to use a water pipe system as earth electrodes, but only with the consent of the water distributor.
KR	542.2.3		In South Korea, it is permitted to use a water pipe system, but only with the consent of the water distributor.
NL	542.2.3		In the Netherlands, water pipes are not permitted as earth electrodes.
SI	542.2.3		In Slovenia, water pipes are not permitted as earth electrodes.
NO	542.2.3		In Norway, metallic pipelines are not permitted as earth electrodes.
DK	542.2.3		In Denmark, water pipes are not permitted as earth electrodes.
DE	542.2.5		In Germany, for external conductors (e.g. LPS down conductors) which are connected to the foundation earth, these connections made of hot galvanized steels shall not be buried in soil, except

Country	Clause N°	Rationale (detailed justification for the requested country note)	Wording
			joints with plastic-cover or of stainless steel according No. 1.4571 are used for durable insulation (according to European certified reference material CRM 284-2 EN 10020).
CH	542.3.1		In Switzerland, the minimal cross-section of the earthing conductor shall be not less than 16 mm ² .
IE	542.3.1		In Ireland, the minimum cross-sectional area is 10 mm ² .
DK	542.3.1		In Denmark, earthing conductors buried in the soil shall be at a depth of at least 0,35 m.
NL	542.3.1		In the Netherlands, a single interruption in a protective conductor used for more than one installation shall not lead to a touch voltage that does not comply with Clause 411.
NO	542.3.1		In Norway, earthing conductors laid in the ground shall be at least 25 mm ² Cu or 50 mm ² corrosion protected Fe. Joints and/or connections shall be protected against corrosion.
CN	542.3.2		In China, joints in conduits are not permitted.
SI	542.3.2		In Slovenia the connection of an earthing conductor to an earth electrode shall be soundly made also with screws, not smaller than M10.
NL	542.3.2		In the Netherlands, earthing conductors embedded in the soil shall be installed at a depth of at least 60 cm.
DK	542.2.4		In Denmark, the earth electrode shall be installed at a depth of at least 2 m.
CZ	542.2.5 (after the 1 st para.)		In the Czech Republic, copper or copper-sheathed earth electrodes in densely inhabited regions are permitted, provided that the corrosive influence of the copper on steel, zinc coated steel, etc. is controlled and that sacrificial protection for the elimination of macro-cell is applied.
CZ	542.2.5 (at the end of the subclause)		In the Czech Republic, the contacts of steel earth electrodes and earthing conductors, and crossovers of steel earth electrodes and earthing conductors between two different medias, are protected no matter whether they are protected in a general sense (e.g. by zinc layer) or not. The crossovers are protected by passive protection (e.g. by asphalt sealing compound, pouring resin, anticorrosive band, etc.) up to these distances: <ul style="list-style-type: none"> - earthing conductors when crossing into the soil at least 30 cm below the surface and 20 cm above the surface; - earthing conductors from foundation earth electrodes; - on the crossing from concrete to the soil at least 30 cm in concrete and 100 cm in the soil; - on the crossing from concrete to the surface at least 10 cm in concrete and 20 cm above the surface; - at arching over the dilatation joints – arching waist in the joint and at least 20 cm in concrete on both sides of the joint.
ES	542.2.6	The Spanish wiring rules, mandatory by R.D. 842/2002 prescribe different requirements.	In Spain, for safety reasons metallic pipe for flammable liquids or gases shall not be used as earthing arrangement.

Country	Clause N°	Rationale (detailed justification for the requested country note)	Wording
IE	542.3.1		In Ireland, for circuits for lighting, the minimum cross-sectional area is 1,5 mm ² .
FI	542.3.1		In Finland, the minimum cross-sectional area for earthing conductors not protected against corrosion is 16 mm ² copper or 50 mm ² steel.
USA	543.1		In the USA, the minimum cross-sectional area for protective conductors is specified in document NFPA 70, National Electrical Code, Clause 250.
AT	543.1.1		In Austria replace the first and second paragraph by: The cross-sectional area of every protective conductor shall be capable of withstanding mechanical and thermal stresses caused by the prospective fault current for the expected duration. Where automatic disconnection of supply according to 411.3.2 is used, the cross-sectional area of the protective conductor shall be <ul style="list-style-type: none"> - either calculated in accordance with 543.1.2, - or selected in accordance with Table 54.2. For protective conductors protecting exposed conductive parts of sources (e.g. generators or transformers), a cross-sectional area of the half value of the line conductors could be not enough. In such special cases, it shall be ensured that the requirements of the first paragraph are met. In either case, the requirements of 543.1.3 shall be met.
AT	543.1.1 Table 54.2 Fifth line	Long term experiences	In Austria, for the time before relevant changing the standards for cables, it is allowed to use standardized cables with cross-sectional area of 150/70 mm ² and of 400/185 mm ² without calculation according to 543.1.2, nevertheless the cross-sectional area of the protective conductor is a little less than 0,5 times the cross-sectional area of the line conductor as here required within Table 54.2.
DK	543.1.1		In Denmark, for circuits protected by RCDs it is normally allowed to use copper protective conductors with a cross-sectional area of at least 2,5 mm ² , independent of the cross-sectional area of the line conductor and without calculation. Only when RCDs are used in TN-systems and the protective conductor is connected to the PEN conductor upstream of the RCD, with less cross-sectional area than the line conductor and shorter than 10 m is it necessary to calculate the cross-sectional area of the protective conductor from the formula.
NL	543.1.4		In the Netherlands, where an earthing arrangement is used for more than one installation, the earthing conductor shall be installed in such a way that a single interruption of the conductor does not impair the protective function of the arrangement.
CN	543.2.1		In China, cable trays and cable ladders are permitted as protective conductors in accordance with local or national regulations or standards.
ES	543.2.1	The Spanish wiring rules, mandatory by R.D. 842/2002 prescribe different requirements.	In Spain, the use of conduits as protective conductors is forbidden.

Country	Clause N°	Rationale (detailed justification for the requested country note)	Wording
ES	543.2.1	The Spanish wiring rules, mandatory by R.D. 842/2002 prescribe different requirements.	In Spain, for safety reasons metallic pipe for flammable liquids or gases shall not be used as earthing arrangement.
IT	543.2.1		In Italy, cable tray and cable ladder are permitted as protective conductors in accordance with local or national regulations or standards.
UK	543.2.1		In the UK, cable tray and cable ladder are permitted as protective conductors in accordance with local or national regulations or standards.
UK	543.2.1	In the UK, metallic trunking may also be used as a protective conductor	In the UK, extraneous-conductive-parts may be used as a protective conductor.
US	543.2.1		In the US, cable tray and cable ladder are permitted as protective conductors in accordance with local or national regulations or standards.
UK	543.2.3		In the UK cable tray and cable ladder are permitted as protective conductors in accordance with local or national regulations or standards.
CH	543.2.3		In Switzerland, metallic water pipes may be used as equipotential bonding conductors.
UK	543.4	In the UK, Regulation 8(4) of "Electricity Safety, Quality and Continuity Regulations 2002" states that a consumer shall not combine the neutral and protective functions in a single conductor in the consumer's installation.	In the UK, a consumer shall not combine the neutral and protective functions in a single conductor in the consumer's installation.
DE	544.1		In Germany, replace the first paragraph as follows: The protective bonding conductor for the connection to the main earthing terminal shall have a cross-sectional area not less than :
UK	544.1		In the UK, particular requirements exist regarding the minimum acceptable cross-sectional areas for protective bonding conductors where Protective Multiple Earthing (PME) conditions apply.
CZ	543.4.1		In the Czech Republic, the use of PEN conductors in parts of installations which are not metered, is permitted provided that: <ul style="list-style-type: none"> - the cross-sectional areas of all conductors of branches to electrometers, and from electrometers to the point of separation, are identical and not lower than 6 mm² Cu or 10 mm² Al; - separation of the PEN conductor into the neutral conductor N and protective conductor PE is carried out at the closest suitable point in the wiring system behind the electrometer (e.g. in the dwelling switchboard) and in compliance with the rest of the requirements of this subclause.
SE	543.4.3 b)		In Sweden the example in item b) is not permitted.
DE	544.1		In Germany, replace the first paragraph as follows:

Country	Clause N°	Rationale (detailed justification for the requested country note)	Wording
			The protective bonding conductor for the connection to the main earthing terminal shall have a cross-sectional area not less than:
CH	544.1.1	Swiss law requires a cross-sectional area of at least 10 mm ² for buildings provided with lightning protection.	In Switzerland, if used in conjunction with installations for lightning protection, the minimum cross-sectional area of the main protective bonding conductor shall be 10 mm ² .
IE	544.1 1st dash		In Ireland, the minimum value is 10 mm ² . In addition, a permanent label inscribed "Safety Electrical Connection- do not remove" shall be permanently affixed at each main bonding connection.
IE	544.1 2nd paragraph		In Ireland, the value for main bonding conductors need not exceed 70 mm ² .
IE	544.2.3		In Ireland, the minimum cross-sectional area for supplementary bonding conductors is 2,5 mm ² where mechanical protection is provided, and 4 mm ² where mechanical protection is not provided. In addition, a permanent label inscribed "Safety Electrical Connection- do not remove" shall be permanently affixed at the bonding connection to a pipe.

Bibliography

IEC 60050-195:1998, *International Electrotechnical Vocabulary – Part 195: Earthing and protection against electric shock*

IEC 60050-826:2004, *International Electrotechnical Vocabulary – Part 826: Electrical installations*

IEC 60079-0, *Explosive atmospheres – Part 0: Equipment – General requirements*

IEC 60079-14, *Explosive atmospheres – Part 14: Electrical installations design, selection and erection*

IEC 60364-4-43, *Low-voltage electrical installations – Part 4-43: Protection for safety – Protection against overcurrent*

IEC 60364-5-52, *Low-voltage electrical installations – Part 5-52: Selection and erection of electrical equipment – Wiring systems*

IEC 60364-6, *Low-voltage electrical installations – Part 6: Verification*

IEC 60364-7-701:2006, *Low-voltage electrical installations – Part 7-701: Requirements for special installations or locations – Locations containing a bath or shower*

IEC 60702-1, *Mineral insulated cables and their terminations with a rated voltage not exceeding 750 V – Part 1: Cables*

IEC 61643-12, *Low-voltage surge protective devices – Part 12: Surge protective devices connected to low-voltage power distribution systems – Selection and application principles*

National Standard DIN 18014:1994, *Fundamenterder ("Foundation earth electrode" in English)*

SOMMAIRE

AVANT-PROPOS.....	44
INTRODUCTION.....	46
541 Généralités.....	47
541.1 Domaine d'application.....	47
541.2 Références normatives.....	47
541.3 Termes et définitions.....	48
542 Dispositions de mise à la terre.....	49
542.1 Exigences générales.....	49
542.2 Prises de terre.....	50
542.3 Conducteurs de terre.....	53
542.4 Borne principale de terre.....	53
543 Conducteurs de protection.....	54
543.1 Sections minimales.....	54
543.2 Types de conducteurs de protection.....	55
543.3 Continuité électrique des conducteurs de protection.....	56
543.4 Conducteurs PEN, PEL ou PEM.....	57
543.5 Conducteurs combinant la mise à la terre de protection et la mise à la terre fonctionnelle.....	59
543.6 Courants dans les conducteurs de mise à la terre de protection.....	59
543.7 Conducteurs de mise à la terre de protection renforcés pour des courants dans le conducteur de mise à la terre de protection supérieurs à 10 mA.....	60
543.8 Dispositions des conducteurs de protection.....	60
544 Conducteurs de liaison de protection.....	60
544.1 Conducteurs de liaison de protection relatifs à la connexion à la borne principale de terre.....	60
544.2 Conducteurs de liaison de protection supplémentaires.....	60
Annexe A (normative) Méthode de détermination du facteur k en 543.1.2 (voir aussi la CEI 60724 et la CEI 60949).....	62
Annexe B (informative) Exemple de dispositions de mise à la terre et de conducteurs de protection.....	67
Annexe C (informative) Mise en œuvre de prises de terre à fond de fouille noyées dans le béton.....	69
Annexe D (informative) Mise en œuvre de prises de terre noyées dans le sol.....	72
Annexe E (informative) Liste des notes concernant certains pays.....	76
Bibliographie.....	83
Figure 54.1 – Exemples de connexion d'un conducteur PEN.....	59
Figure B.54.1 – Exemple de dispositions de mise à la terre dans le cas d'une prise de terre à fond de fouille, de conducteurs de protection et de conducteurs de liaison de protection.....	68
Tableau 54.1 – Dimensions minimales des prises de terre, dans le cas où elles sont enfouies dans le sol ou noyées dans le béton et destinées à prévenir la corrosion et à assurer la tenue mécanique.....	51

Tableau 54.2 – Section minimale des conducteurs de protection (si non calculée conformément au 543.1.2)	54
Tableau A.54.1 – Valeurs des paramètres pour divers matériaux	62
Tableau A.54.2 – Valeurs de k pour les conducteurs de protection isolés, non incorporés aux câbles et non regroupés avec d'autres câbles	63
Tableau A.54.3 – Valeurs de k pour un conducteur de protection nu en contact avec une gaine de câble, mais non regroupé avec d'autres câbles	63
Tableau A.54.4 – Valeurs de k pour un conducteur de protection constitué d'un conducteur isolé incorporé dans un câble, ou regroupé avec d'autres câbles ou conducteurs isolés	64
Tableau A.54.5 – Valeurs de k pour un conducteur de protection constitué par la couche métallique d'un câble, par exemple armure, gaine métallique, conducteur concentrique, etc.	65
Tableau A.54.6 – Valeurs de k pour conducteurs nus ne risquant pas d'endommager les matériaux voisins par les températures indiquées	66
Tableau D.54.1 – Résistivité pour différents types de sol	73
Tableau D.54.2 – Variation de la résistivité pour différents types de sol	73

COMMISSION ÉLECTROTECHNIQUE INTERNATIONALE

INSTALLATIONS ÉLECTRIQUES BASSE-TENSION –

Partie 5-54: Choix et mise en œuvre des matériels électriques – Installations de mise à la terre et conducteurs de protection

AVANT-PROPOS

- 1) La Commission Electrotechnique Internationale (CEI) est une organisation mondiale de normalisation composée de l'ensemble des comités électrotechniques nationaux (Comités nationaux de la CEI). La CEI a pour objet de favoriser la coopération internationale pour toutes les questions de normalisation dans les domaines de l'électricité et de l'électronique. A cet effet, la CEI – entre autres activités – publie des Normes internationales, des Spécifications techniques, des Rapports techniques, des Spécifications accessibles au public (PAS) et des Guides (ci-après dénommés "Publication(s) de la CEI"). Leur élaboration est confiée à des comités d'études, aux travaux desquels tout Comité national intéressé par le sujet traité peut participer. Les organisations internationales, gouvernementales et non gouvernementales, en liaison avec la CEI, participent également aux travaux. La CEI collabore étroitement avec l'Organisation Internationale de Normalisation (ISO), selon des conditions fixées par accord entre les deux organisations.
- 2) Les décisions ou accords officiels de la CEI concernant les questions techniques représentent, dans la mesure du possible, un accord international sur les sujets étudiés, étant donné que les Comités nationaux de la CEI intéressés sont représentés dans chaque comité d'études.
- 3) Les Publications de la CEI se présentent sous la forme de recommandations internationales et sont agréées comme telles par les Comités nationaux de la CEI. Tous les efforts raisonnables sont entrepris afin que la CEI s'assure de l'exactitude du contenu technique de ses publications; la CEI ne peut pas être tenue responsable de l'éventuelle mauvaise utilisation ou interprétation qui en est faite par un quelconque utilisateur final.
- 4) Dans le but d'encourager l'uniformité internationale, les Comités nationaux de la CEI s'engagent, dans toute la mesure possible, à appliquer de façon transparente les Publications de la CEI dans leurs publications nationales et régionales. Toutes divergences entre toutes Publications de la CEI et toutes publications nationales ou régionales correspondantes doivent être indiquées en termes clairs dans ces dernières.
- 5) La CEI elle-même ne fournit aucune attestation de conformité. Des organismes de certification indépendants fournissent des services d'évaluation de conformité et, dans certains secteurs, accèdent aux marques de conformité de la CEI. La CEI n'est responsable d'aucun des services effectués par les organismes de certification indépendants.
- 6) Tous les utilisateurs doivent s'assurer qu'ils sont en possession de la dernière édition de cette publication.
- 7) Aucune responsabilité ne doit être imputée à la CEI, à ses administrateurs, employés, auxiliaires ou mandataires, y compris ses experts particuliers et les membres de ses comités d'études et des Comités nationaux de la CEI, pour tout préjudice causé en cas de dommages corporels et matériels, ou de tout autre dommage de quelque nature que ce soit, directe ou indirecte, ou pour supporter les coûts (y compris les frais de justice) et les dépenses découlant de la publication ou de l'utilisation de cette Publication de la CEI ou de toute autre Publication de la CEI, ou au crédit qui lui est accordé.
- 8) L'attention est attirée sur les références normatives citées dans cette publication. L'utilisation de publications référencées est obligatoire pour une application correcte de la présente publication.
- 9) L'attention est attirée sur le fait que certains des éléments de la présente Publication de la CEI peuvent faire l'objet de droits de brevet. La CEI ne saurait être tenue pour responsable de ne pas avoir identifié de tels droits de brevets et de ne pas avoir signalé leur existence.

La Norme internationale CEI 60364-5-54 a été établie par le comité d'études 64 de la CEI: Installations électriques et protection contre les chocs électriques.

Cette troisième édition annule et remplace la deuxième édition, parue en 2002, et constitue une révision technique.

Les principales modifications par rapport à l'édition précédente sont les suivantes:

- la définition de conducteur de protection a été clarifiée;
- les caractéristiques mécaniques et physiques de la prise de terre ont été mieux spécifiées;

- introduction d'une prise de terre pour la protection contre les chocs électriques et la protection foudre;
- annexes qui décrivent les prises de terre à fond de fouille noyées dans le béton et les prises de terre noyées dans le sol.

Le texte de cette norme est issu des documents suivants:

FDIS	Rapport de vote
64/1755/FDIS	64/1766/RVD

Le rapport de vote indiqué dans le tableau ci-dessus donne toute information sur le vote ayant abouti à l'approbation de cette norme.

Elle a le statut d'une publication fondamentale de sécurité conformément au Guide CEI 104.

Cette publication a été rédigée selon les Directives ISO/CEI, Partie 2.

L'attention du lecteur est attirée sur le fait que l'Annexe E énumère tous les articles traitant des différences à caractère moins permanent, inhérentes à certains pays sur le sujet de la présente norme.

Une liste de toutes les parties de la série CEI 60364, présentées sous le titre général *Installations électriques à basse tension*, peut être consultée sur le site web de la CEI.

Le comité a décidé que le contenu de cette publication ne sera pas modifié avant la date de stabilité indiquée sur le site web de la CEI sous "<http://webstore.iec.ch>" dans les données relatives à la publication recherchée. A cette date, la publication sera

- reconduite,
- supprimée,
- remplacée par une édition révisée, ou
- amendée.

INTRODUCTION

La numérotation des articles est séquentielle, précédé par le numéro de la Partie. La numérotation des figures et des tableaux reprend le numéro de la partie, suivi d'un chiffre dans l'ordre chronologique, c'est-à-dire Tableau 54.1, Tableau 54.2, etc. La numérotation des tableaux et des figures dans les annexes reprend la lettre de l'annexe suivie par le numéro de la partie et d'un chiffre ajouté dans l'ordre chronologique, par exemple A.54.1, A.54.2, etc.

INSTALLATIONS ÉLECTRIQUES BASSE-TENSION –

Partie 5-54: Choix et mise en œuvre des matériels électriques – Installations de mise à la terre et conducteurs de protection

541 Généralités

541.1 Domaine d'application

La présente partie de la CEI 60364 concerne les installations de mise à la terre et les conducteurs de protection, y compris les conducteurs de liaison de protection afin de satisfaire à la sécurité de l'installation électrique.

541.2 Références normatives

Les documents de référence suivants sont indispensables pour l'application du présent document. Pour les références datées, seule l'édition citée s'applique. Pour les références non datées, la dernière édition du document de référence s'applique (y compris les éventuels amendements).

CEI 60364-4-41:2005, *Installations électriques à basse tension – Partie 4-41: Protection pour assurer la sécurité – Protection contre les chocs électriques*

CEI 60364-4-44:2007, *Installations électriques à basse tension – Partie 4-44: Protection pour assurer la sécurité – Protection contre les perturbations de tension et les perturbations électromagnétiques*

CEI 60364-5-51:2005, *Installations électriques des bâtiments – Partie 5-51: Choix et mise en œuvre des matériels électriques – Règles communes*

CEI 60439-2, *Ensembles d'appareillage à basse tension – Partie 2: Règles particulières pour les canalisations préfabriquées*

CEI 61439-1, *Ensembles d'appareillage à basse tension – Partie 1: Règles générales*

CEI 61439-2, *Ensembles d'appareillage à basse tension – Partie 2: Ensembles d'appareillage de puissance*

CEI 60724, *Limites de température de court-circuit des câbles électriques de tensions assignées de 1 kV ($U_m = 1,2$ kV) et 3 kV ($U_m = 3,6$ kV)*

CEI 60909-0, *Courants de court-circuit dans les réseaux triphasés à courant alternatif – Partie 0: Calcul des courants*

CEI 60949, *Calcul des courants de court-circuit admissibles au plan thermique, tenant compte des effets d'un échauffement non adiabatique*

CEI 61140:2001, *Protection contre les chocs électriques – Aspects communs aux installations et aux matériels*

CEI 61534-1, *Systèmes de conducteurs préfabriqués – Partie 1: Exigences générales*

CEI 62305 (toutes les parties), *Protection contre la foudre*

CEI 62305-3:2006, *Protection contre la foudre – Partie 3: Dommages physiques sur les structures et risques humains*

541.3 Termes et définitions

Pour les besoins du présent document, les termes et définitions de la CEI 61140, ainsi que les définitions suivantes, sont applicables.

Les définitions utilisées pour les installations de mise à la terre, les conducteurs de protection et les conducteurs de liaison de protection sont représentées dans l'Annexe B et référencées ci-après:

541.3.1

partie conductrice accessible

partie conductrice d'un matériel, susceptible d'être touchée, et qui n'est pas normalement sous tension, mais peut le devenir lorsque l'isolation principale est défailante

[CEI 60050-826:2004, 826-12-10]

541.3.2

élément conducteur étranger

partie conductrice ne faisant pas partie de l'installation électrique et susceptible d'introduire un potentiel électrique, généralement celui d'une terre locale

[CEI 60050-826:2004, 826-12-11]

541.3.3

prise de terre

électrode de terre

partie conductrice pouvant être incorporée dans le sol ou dans un milieu conducteur particulier, par exemple béton, en contact électrique avec la Terre

[CEI 60050-826:2004, 826-13-05, modifiée]

541.3.4

prise de terre à fond de fouille noyée dans le béton

prise de terre noyée dans le béton des fondations d'un bâtiment, généralement en forme de boucle

[CEI 60050-826:2004, 826-13-08, modifiée]

541.3.5

prise de terre à fond de fouille noyée dans le sol

prise de terre incorporée dans le sol sous des fondations d'un bâtiment, généralement en forme de boucle

[CEI 60050-826:2004, 826-13-08, modifiée]

541.3.6

conducteur de protection

conducteur prévu à des fins de sécurité, par exemple protection contre les chocs électriques

[CEI 60050-826:2004, 826-13-22]

NOTE Des exemples de conducteurs de protection sont donnés par un conducteur de liaison de protection, un conducteur de mise à la terre de protection et un conducteur de mise à la terre lorsqu'il est utilisé pour la protection contre les chocs électriques.

541.3.7

conducteur de liaison de protection

conducteur de protection prévu pour réaliser une liaison équipotentielle de protection

[CEI 60050-826:2004, 826-13-24]

541.3.8

conducteur de (mise à la) terre

conducteur assurant un chemin conducteur, ou une partie du chemin conducteur, entre un point donné d'un réseau, d'une installation, ou d'un matériel et une prise de terre ou un réseau de prises de terre

[CEI 60050-826:2004, 826-13-12]

NOTE Dans le cadre de la présente partie de la CEI 60364, un conducteur de terre est celui qui réalise la connexion entre la prise de terre et la liaison équipotentielle principale, généralement la borne principale de terre.

541.3.9

borne principale de terre

barre principale de terre

borne ou barre faisant partie de l'installation de mise à la terre d'une installation et assurant la connexion électrique d'un certain nombre de conducteurs à des fins de mise à la terre

[CEI 60050-826:2004, 826-13-15]

541.3.10

conducteur de mise à la terre de protection

conducteur de protection prévu pour réaliser la mise à la terre de protection

[CEI 60050-826:2004, 826-13-23]

541.3.11

mise à la terre pour des raisons fonctionnelles

mise à la terre d'un ou de plusieurs points d'un réseau, d'une installation ou d'un matériel pour des raisons autres que la sécurité électrique

[CEI 60050-826:2004, 826-13-10]

541.3.12

installation de mise à la terre

ensemble des liaisons électriques et dispositifs mis en œuvre dans la mise à la terre d'un réseau, d'une installation ou d'un matériel

[CEI 60050-195:1998, 195-02-20]

542 Dispositions de mise à la terre

542.1 Exigences générales

542.1.1 Les dispositions de mise à la terre peuvent être utilisées à la fois ou séparément pour des raisons de protection et des raisons fonctionnelles suivant les exigences de l'installation électrique. Les exigences relatives à la protection doivent toujours être prioritaires.

542.1.2 Si elles en sont pourvues, les prises de terre présentes à l'intérieur d'une installation doivent être connectées à la borne principale de terre par l'intermédiaire d'un conducteur de terre.

NOTE Une installation ne nécessite pas d'avoir sa propre prise de terre.

542.1.3 Dans le cas où l'alimentation d'une installation est effectuée à partir de la haute tension, les exigences concernant les installations de mise à la terre de l'alimentation haute tension et de l'installation basse tension doivent également se conformer à l'Article 442 de la CEI 60364-4-44:2007.

542.1.4 Les exigences concernant les installations de mise à la terre sont destinées à réaliser une liaison à la terre:

- sûre et appropriée aux exigences de protection de l'installation;
- pouvant écouler des courants de défaut à la terre et des courants dans le conducteur de protection sans risque de contraintes thermiques, thermomécaniques et électromécaniques dangereuses et de chocs électriques dus à ces courants;
- si nécessaire, appropriée aussi aux exigences fonctionnelles;
- qui est appropriée aux influences externes prévisibles (voir la CEI 60364-5-51), par exemple, les contraintes mécaniques et la corrosion.

542.1.5 Une attention particulière doit être portée aux installations de mise à la terre dans lesquelles des courants comportant des hautes fréquences sont susceptibles de s'écouler (voir l'Article 444 de la CEI 60364-4-44:2007).

542.1.6 La protection contre les chocs électriques, comme indiqué dans la CEI 60364-4-41, ne doit pas être défavorablement affectée par un changement prévisible de la résistance de la prise de terre (par exemple, du fait de la corrosion, d'un assèchement du sol ou du gel).

542.2 Prises de terre

542.2.1 Les types, les matériaux et les dimensions des électrodes de terre doivent être choisis de manière à résister à la corrosion et à présenter une tenue mécanique appropriée pendant toute la durée de vie prévue.

NOTE 1 En ce qui concerne la corrosion, les paramètres suivants peuvent être considérés: le pH du sol du site, sa résistivité, son humidité, les courants vagabonds et de fuite en courant alternatif et continu, la contamination chimique et la proximité de matériaux dissemblables.

Le Tableau 54.1 spécifie les dimensions minimales des matériaux courants devant être utilisées pour les prises de terre, en tenant compte de la corrosion et de la tenue mécanique, lorsque celles-ci sont enfouies dans le sol ou noyées dans le béton.

NOTE 2 L'épaisseur minimale du revêtement protecteur est plus importante pour les prises de terre verticales que pour les prises de terre horizontales, en raison de leur plus grande sollicitation aux efforts mécaniques qu'elles subissent pendant leur enfouissement.

Si un système de protection contre la foudre est requis, 5.4 de la CEI 62305-3:2006 est applicable.

Tableau 54.1 – Dimensions minimales des prises de terre, dans le cas où elles sont enfouies dans le sol ou noyées dans le béton et destinées à prévenir la corrosion et à assurer la tenue mécanique

Matériau et surface	Forme	Diamètre mm	Section mm ²	Épaisseur mm	Poids du revêtement g/m ²	Épaisseur du revêtement/ gaine µm
Acier noyé dans le béton (nu, galvanisé à chaud ou inox)	Fil rond	10				
	Ruban massif ou bande		75	3		
Acier galvanisé à chaud au trempé ^c	Bande ^b ou bande/plaque formée – Plaque massive – Plaque en treillis		90	3	500	63
	Tige ronde installée verticalement	16			350	45
	Fil rond installé horizontalement	10			350	45
	Conduit	25		2	350	45
	Toronné (noyé dans le béton)		70			
	Profilé en croix installé verticalement		(290)	3		
Acier gainé de cuivre	Tige ronde installée verticalement	(15)				2 000
Acier avec cuivre déposé par électrolyse	Tige ronde installée verticalement	14				250 ^e
	Fil rond installé horizontalement	(8)				70
	Bande installée horizontalement		90	3		70
Acier inoxydable ^a	Bande ^b ou bande/plaque formée		90	3		
	Tige ronde installée verticalement	16				
	Fil rond installé horizontalement	10				
	Conduit	25		2		
Cuivre	Bande		50	2		
	Fil rond installé horizontalement		(25) ^d 50			
	Tige ronde massive installée verticalement	(12) 15				
	Fils toronnés	1,7 pour chaque brin du fil	(25) ^d 50			
	Conduit	20		2		
	Plaque massive			(1,5) 2		
	Plaque en treillis			2		
NOTE Les valeurs entre parenthèses ne sont applicables que pour la protection contre les chocs électriques, alors que les valeurs non entre parenthèses sont applicables pour la protection contre la foudre et contre les chocs électriques.						
^a Chrome ≥16 %, Nickel ≥5 %, Molybdène ≥2 %, Carbone ≤0,08 %.						

- b En bande enroulée ou bande fendue avec rebords arrondis.
- c Le revêtement doit être lisse, continu et exempt de tache de flux.
- d Lorsque l'expérience montre que le risque de corrosion et de dommage mécanique est très faible, une section de 16 mm² peut être utilisée.
- e Cette épaisseur est prévue pour supporter les contraintes mécaniques subies par le revêtement de cuivre pendant le processus d'installation. Elle peut être réduite jusqu'à 100 µm dans le cas où des précautions particulières sont prises pour éviter des dommages mécaniques au cuivre pendant le processus d'installation (par exemple, trous forés ou embouts protecteurs spéciaux), conformément aux instructions du constructeur.

542.2.2 L'efficacité d'une prise de terre dépend de sa configuration et des conditions locales du sol. Une ou plusieurs prises de terre, appropriées aux conditions du sol et à la valeur requise de résistance à la terre, doivent être choisies.

L'Annexe D donne des méthodes pour estimer la résistance d'une prise de terre.

542.2.3 Les exemples suivants de prises de terre peuvent être utilisés:

- prise de terre à fond de fouille noyée dans le béton;
NOTE Pour des informations supplémentaires, voir l'Annexe C.
- prise de terre à fond de fouille noyée dans le sol;
- électrode métallique enfouie directement dans le sol, verticalement ou horizontalement (par exemple, tiges, fils, rubans, conduits ou plaques);
- gaine métallique et autre revêtement métallique de câbles, selon les conditions locales ou les exigences;
- autres ouvrages métalliques enterrés appropriés (par exemple, conduits, tuyaux) selon les conditions locales ou les exigences;
- armatures métalliques soudées du béton (sauf pour béton précontraint) noyées dans le sol.

542.2.4 Lors du choix du type de prise de terre et de sa profondeur d'enfouissement, l'attention doit être portée sur les dommages mécaniques éventuels que pourrait subir l'électrode et sur les conditions locales pour minimiser l'effet de l'assèchement du sol et du gel.

542.2.5 L'attention doit se porter sur la corrosion électrolytique lors de l'utilisation de matériaux différents dans une installation de mise à la terre. Pour les conducteurs externes (par exemple, conducteur de mise à la terre) reliés à une prise de terre à fond de fouille noyée dans le béton, la connexion faite à partir de l'acier galvanisé à chaud au trempé ne doit pas être enfouie dans le sol.

542.2.6 L'installation de mise à la terre ne doit pas reposer sur l'utilisation d'une canalisation métallique de distribution de liquides ou de gaz inflammables comme prise de terre, et sa longueur enterrée ne doit pas être considérée lors du dimensionnement de la prise de terre.

NOTE Cette exigence n'exclut pas la liaison équipotentielle de protection via la borne principale de terre (541.3.9) de ces canalisations, pour assurer la conformité à la CEI 60364-4-41.

Dans le cas où une protection cathodique est utilisée et où la partie conductrice accessible d'un équipement électrique alimentée suivant un schéma TT est directement reliée à la canalisation, la canalisation métallique de distribution de liquides ou de gaz inflammables peut servir de prise de terre unique pour cet équipement spécifique.

542.2.7 Les prises de terre ne doivent pas être directement immergées dans l'eau d'un ruisseau, d'une rivière, d'un fleuve, d'un étang, d'un lac ou autres (voir également 542.1.6).

542.2.8 Dans le cas où une prise de terre se compose de parties devant être interconnectées, les connexions doivent être réalisées par soudures exothermiques, par connecteurs à pression, par griffes ou autres connecteurs mécaniques appropriés.

NOTE Les connexions qui ne sont réalisées que par un fil de fer enroulé ne sont pas appropriées aux connexions de protection.

542.3 Conducteurs de terre

542.3.1 Les conducteurs de terre doivent satisfaire au 543.1.1 ou au 543.1.2. Leur section ne doit pas être inférieure à 6 mm² pour les conducteurs en cuivre ou à 50 mm² pour les conducteurs en acier. Lorsqu'un conducteur de terre nu est enterré, ses dimensions et ses caractéristiques doivent également être conformes au Tableau 54.1.

Si le courant de défaut présumé circulant dans la prise de terre est faible (par exemple, dans les schémas TN ou IT), le conducteur de terre peut être dimensionné conformément au 544.1.

Les conducteurs en aluminium ne doivent pas être utilisés comme conducteurs de terre.

NOTE Lorsqu'un système de protection contre la foudre est relié à une prise de terre, il convient que la section du conducteur de terre soit au moins de 16 mm² pour les conducteurs en cuivre (Cu) ou de 50 mm² pour les conducteurs en fer (Fe) (voir la série CEI 62305).

542.3.2 La liaison d'un conducteur de terre à une prise de terre doit être soigneusement réalisée et électriquement satisfaisante. Cette connexion doit être réalisée par soudure exothermique, par connecteurs à pression, griffes ou autres connecteurs mécaniques adéquats. Les connecteurs mécaniques doivent être mis en œuvre selon les instructions du constructeur. Si une griffe est utilisée, elle ne doit pas endommager l'prise de terre ou le conducteur de terre.

Les dispositifs de connexion ou les raccords dépendant seulement d'une soudure ne doivent pas être utilisés tels quels, car ils n'apportent pas une tenue mécanique appropriée et fiable.

NOTE Lorsque des électrodes verticales sont installées, des moyens peuvent être prévus pour permettre la vérification du raccordement et le remplacement de la tige verticale.

542.4 Borne principale de terre

542.4.1 Dans toute installation, où une liaison équipotentielle est utilisée, une borne principale de terre doit être prévue et les conducteurs suivants doivent y être connectés:

- les conducteurs d'équipotentialité;
- les conducteurs de terre;
- les conducteurs de protection;
- les conducteurs de mise à la terre fonctionnelle éventuels.

NOTE 1 Il n'est pas prévu de connecter chaque conducteur de protection individuellement à la borne principale de terre lorsqu'ils sont connectés à cette borne par l'intermédiaire d'autres conducteurs de protection.

NOTE 2 La borne principale de terre du bâtiment peut généralement être utilisée à des fins de mise à la terre pour des raisons fonctionnelles. Pour l'utilisation des matériels de traitement de l'information, elle est alors considérée comme le point de connexion au réseau de terre.

Dans le cas où plusieurs bornes de terre sont prévues, elles doivent être interconnectées.

542.4.2 Chaque conducteur connecté à la borne principale de terre doit pouvoir être déconnecté individuellement. Cette connexion doit être sûre et n'être démontable qu'à l'aide d'un outil.

NOTE Ce dispositif de déconnexion peut être commodément combiné avec la borne principale de terre, pour permettre de mesurer la résistance de la prise de terre.

543 Conducteurs de protection

NOTE Il convient de considérer les exigences données par l'Article 516 de la CEI 60364-5-51:2005.

543.1 Sections minimales

543.1.1 La section de tout conducteur de protection doit satisfaire aux conditions de la coupure automatique de l'alimentation exigées en 411.3.2 de la CEI 60364-4-41:2005 et être apte à supporter les contraintes mécaniques et thermiques provoquées par les courants de défaut présumés pendant le temps de coupure du dispositif de protection.

La section d'un conducteur de protection doit être, soit calculée conformément au 543.1.2, soit choisie conformément au Tableau 54.2. Dans les deux cas, les exigences du 543.1.3 doivent être prises en compte.

Les bornes pour conducteurs de protection doivent pouvoir accepter les conducteurs des dimensions exigées dans le présent paragraphe.

Dans les schémas TT, où les prises de terre du système d'alimentation et des parties conductrices accessibles sont électriquement indépendantes (voir 312.2.2), il n'est pas nécessaire que la section des conducteurs de protection excède:

- 25 mm² pour les conducteurs en cuivre,
- 35 mm² pour les conducteurs en aluminium.

Tableau 54.2 – Section minimale des conducteurs de protection (si non calculée conformément au 543.1.2)

Section des conducteurs de phase de l'installation, S mm ² Cu	Section minimale des conducteurs de protection correspondants mm ² Cu	
	Si le conducteur de protection est en même matériau que le conducteur de phase	Si le conducteur de protection n'est pas en même matériau que le conducteur de phase
$S \leq 16$	S	$\frac{k_1}{k_2} \times S$
$16 < S \leq 35$	16 ^a	$\frac{k_1}{k_2} \times 16$
$S > 35$	$\frac{S}{2}$ a	$\frac{k_1}{k_2} \times \frac{S}{2}$
où		
k_1	est la valeur de k du conducteur de phase issue de la formule de l'Annexe A ou choisie dans les tableaux de la CEI 60364-4-43, conformément au matériau du conducteur et à son isolation;	
k_2	est la valeur de k du conducteur de protection, choisie, comme il convient, dans les Tableaux A.54.2 à A.54.6.	
a	Pour le conducteur PEN, la réduction de la section n'est permise que conformément aux règles de dimensionnement du conducteur neutre (voir la CEI 60364-5-52).	

543.1.2 La section des conducteurs de protection doit être au moins égale à celle déterminée:

- soit conformément à la CEI 60949;
- soit par la formule suivante applicable seulement pour des temps de coupure n'excédant pas 5 s:

$$S = \frac{\sqrt{I^2 t}}{k}$$

où

S est la surface de la section en mm²;

I est la valeur efficace du courant de défaut présumé, exprimée en ampères, pouvant traverser le dispositif de protection, pour un défaut d'impédance négligeable (voir la CEI 60909-0);

t est le temps de fonctionnement, en secondes, du dispositif de protection par coupure automatique;

k est le facteur dont la valeur dépend du matériau du conducteur de protection, des isolants et des autres parties, et enfin des températures initiale et finale (pour la détermination de k , voir l'Annexe A).

Si l'application de la formule conduit à des dimensions non normalisées, le conducteur qui doit être utilisé est celui ayant au moins la plus grande section normalisée la plus proche.

NOTE 1 Il est recommandé de prendre en compte les effets de la limitation du courant dus aux impédances du circuit et de la capacité de limitation $I^2 t$ du dispositif de protection.

NOTE 2 Pour les limitations des températures des installations en atmosphères explosibles, voir la CEI 60079-0.

NOTE 3 Comme les gaines métalliques des câbles à isolant minéral conformes à la CEI 60702-1 ont une tenue aux défauts à la terre supérieure à celle des conducteurs de phase, il n'est pas nécessaire de calculer la section des gaines métalliques lorsqu'elles sont utilisées comme conducteurs de protection.

543.1.3 La section de tout conducteur de protection ne faisant pas partie d'un câble ou n'étant pas placé avec le conducteur de phase dans une enveloppe commune doit avoir une section d'au moins

- 2,5 mm² Cu ou 16 mm² Alu s'il comporte une protection mécanique,
- 4 mm² Cu ou 16 mm² Alu s'il ne comporte pas de protection mécanique.

NOTE L'utilisation de l'acier pour un conducteur de protection n'est pas exclu (voir 543.1.2).

Un conducteur de protection ne faisant pas partie d'un câble est considéré comme étant protégé mécaniquement par le fait d'être installé dans un conduit, dans une goulotte ou s'il est protégé d'une manière similaire.

543.1.4 Si un conducteur de protection est commun à deux ou plusieurs circuits, sa section doit être:

- calculée conformément au 543.1.2, pour le courant de défaut présumé et le temps de fonctionnement les plus défavorables pour le circuit considéré; ou
- choisie conformément au Tableau 54.2 de manière à la faire correspondre à la section de conducteur de phase la plus élevée des circuits.

543.2 Types de conducteurs de protection

543.2.1 Peuvent être utilisés comme conducteurs de protection:

- des conducteurs dans des câbles multiconducteurs;
- des conducteurs isolés ou nus passant dans une enveloppe commune avec les conducteurs actifs;
- des conducteurs nus ou isolés fixés dans l'installation;
- des gaines métalliques de câbles, des écrans de câbles, des armures de câbles, des tresses de fils, des conducteurs concentriques, des conduits métalliques, selon les conditions énoncées en 543.2.2 a) et b).

NOTE Voir 543.8 pour leurs dispositions.

543.2.2 Lorsque l'installation comporte des matériels sous enveloppes métalliques, tels que des ensembles d'appareillage basse tension (voir la CEI 61439-1 et la CEI 61439-2) ou des canalisations préfabriquées (voir la CEI 60439-2), leurs enveloppes métalliques ou leurs charpentes peuvent être utilisées comme conducteurs de protection, si elles satisfont simultanément aux trois conditions suivantes:

- a) leur continuité électrique doit être réalisée par construction ou par connexion appropriée de façon que la protection contre les détériorations mécaniques, chimiques ou électrochimiques soit assurée;
- b) elles sont conformes aux exigences du 543.1;
- c) elles doivent permettre le raccordement d'autres conducteurs de protection à tout endroit de dérivation prédéterminé.

543.2.3 L'utilisation des éléments métalliques suivants comme conducteurs de protection ou comme conducteurs de liaison de protection n'est pas admise:

- canalisations métalliques d'eau;
- canalisations métalliques contenant les matériaux potentiellement inflammables, tels que des gaz, des liquides, des poudres;

NOTE 1 Pour la protection cathodique, voir le 542.2.6.

- parties appartenant à la construction et soumises à des contraintes mécaniques en service normal;
- conduits métalliques souples, sauf s'ils sont conçus pour cet usage;
- parties métalliques souples;
- supports de lignes;
- chemins de câbles et échelles à câbles.

NOTE 2 Exemples de conducteurs de protection incluant un conducteur de liaison de protection, un conducteur de mise à la terre et un conducteur de terre utilisés pour la protection contre les chocs électriques.

543.3 Continuité électrique des conducteurs de protection

543.3.1 Les conducteurs de protection doivent être convenablement protégés contre les détériorations mécaniques, chimiques ou électrochimiques et contre les forces électrodynamiques et thermodynamiques.

Toute connexion (par exemple, raccordements vissés, connecteurs à griffe) entre conducteurs de protection et entre un conducteur de protection et d'autres matériels doit assurer une continuité électrique durable, ainsi qu'une tenue mécanique et une protection mécanique appropriées. Les vis reliant les conducteurs de protection ne doivent pas être utilisées pour un autre but.

Les jonctions ne doivent pas être faites par soudure.

NOTE Il convient que toutes les connexions électriques aient une capacité thermique et une résistance mécanique satisfaisantes pour résister à une combinaison quelconque courant/temps pouvant apparaître dans le conducteur ou dans le câble/dans l'enveloppe de la plus grande section.

543.3.2 Les jonctions des conducteurs de protection doivent être accessibles pour vérification et essais, à l'exception des

- jonctions avec matière de remplissage,
- jonctions encapsulées,
- jonctions dans des systèmes de conduits métalliques, de conduits profilés et dans des canalisations préfabriquées,
- jonctions appartenant au matériel et satisfaisant aux normes des matériels,
- jonctions réalisées par soudure ou brasage,
- jonctions réalisées par un outil de serrage.

543.3.3 Aucun appareillage ne doit être inséré dans le conducteur de protection, mais des jonctions, pouvant être démontées à l'aide d'un outil à des fins d'essai, peuvent être utilisées.

543.3.4 Lorsqu'un dispositif de surveillance de la continuité électrique de la mise à la terre est utilisé, des dispositifs dédiés (par exemple, des capteurs, des bobines ou des transformateurs de courant) ne doivent pas être insérés en série dans les conducteurs de protection.

543.3.5 Les parties conductrices accessibles des matériels électriques ne doivent pas être utilisées en tant que conducteur de protection relatif à un autre matériel, à l'exception du cas prévu en 543.2.2.

543.4 Conducteurs PEN, PEL ou PEM

NOTE Comme ces conducteurs remplissent deux fonctions, conducteur PE et aussi conducteurs PEN, PEL ou PEM, il convient de considérer toutes les exigences applicables aux fonctions correspondantes.

543.4.1 Un conducteur PEN, PEL ou PEM ne peut être utilisé que dans les installations fixes et, pour des raisons mécaniques, il doit avoir une section au moins égale à 10 mm² en cuivre ou 16 mm² en aluminium.

NOTE 1 Pour des raisons de CEM, il convient que le conducteur PEN ne soit pas installé en aval de l'origine de l'installation (voir 444.4.3.2 de la CEI 60364-4-44:2007).

NOTE 2 La CEI 60079-14 n'autorise pas l'utilisation d'un conducteur PEN, PEL ou PEM en atmosphères explosives.

543.4.2 Le conducteur PEN, PEL ou PEM doit être isolé en fonction de la tension assignée du conducteur de phase.

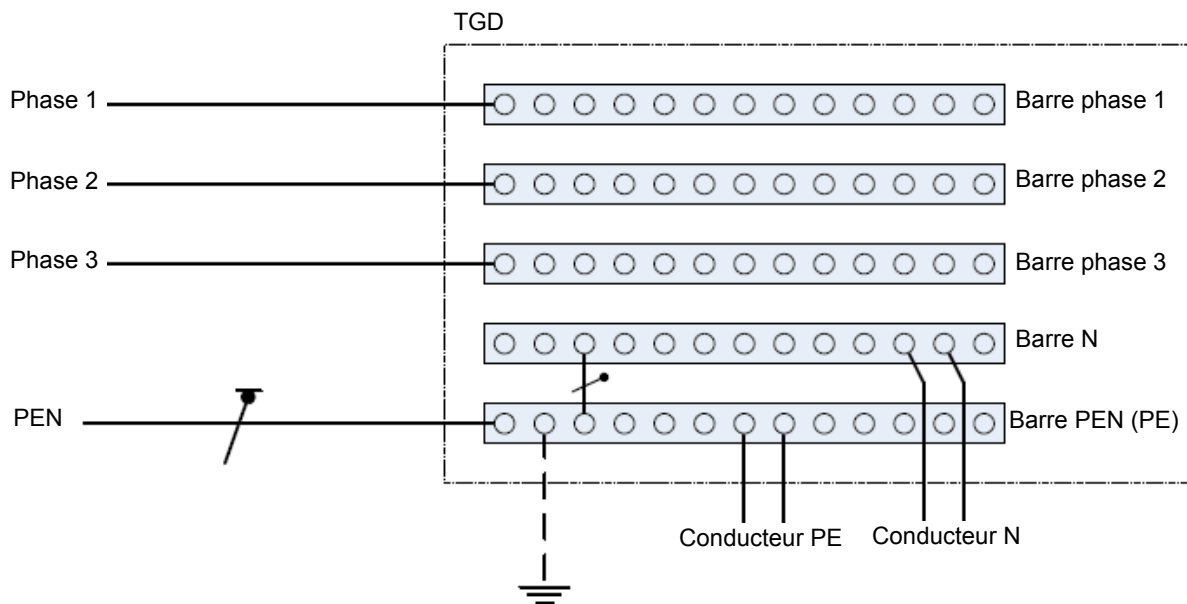
L'enveloppe métallique des canalisations ne doit pas être utilisée comme conducteur PEN, PEL ou PEM, excepté pour les canalisations préfabriquées satisfaisant à la CEI 60439-2 et pour les systèmes de conducteurs préfabriqués satisfaisant à la CEI 61534-1.

NOTE Il convient que les Comités de Produit considèrent l'effet potentiel des IEM introduites dans le matériel par un conducteur PEN, PEL ou PEM.

543.4.3 Si, à partir d'un point quelconque de l'installation, le conducteur de neutre/de point milieu/de phase et les fonctions de protection sont fournies par des conducteurs distincts, il n'est pas permis de relier le conducteur de neutre/de point milieu/de phase à toute autre partie de l'installation mise à la terre. Toutefois, il est permis de séparer le conducteur PEN,

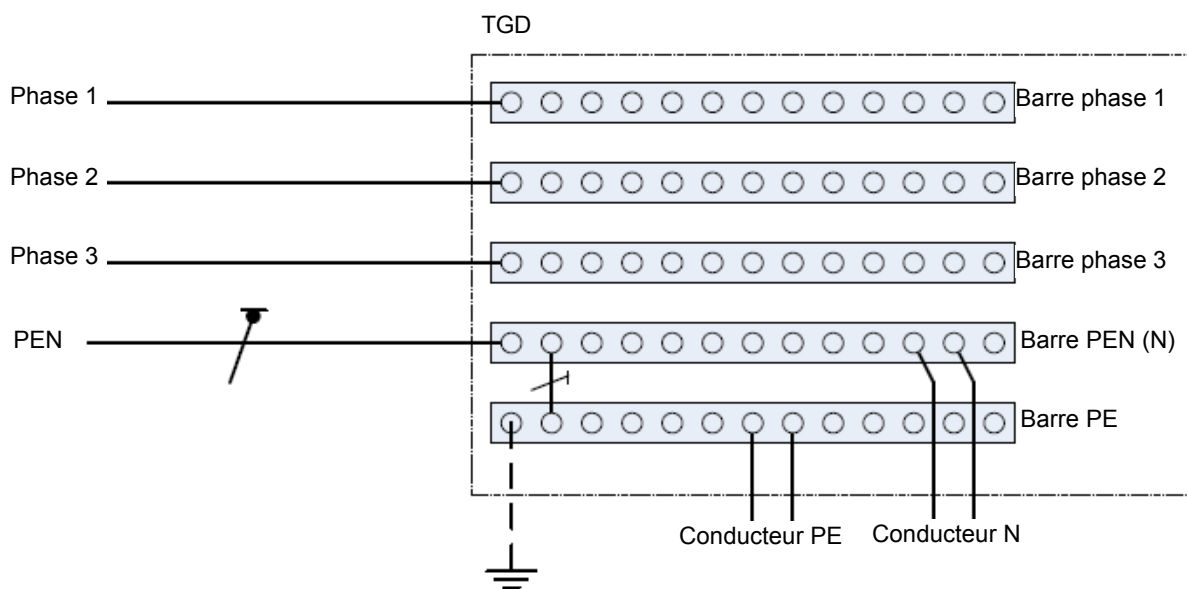
PEL ou PEM en, respectivement, plusieurs conducteurs de neutre/de point milieu/de phase et plusieurs conducteurs de protection.

Le conducteur PEN, PEL ou PEM doit être relié à la borne ou à la barre destinée aux conducteurs de protection (voir la Figure 54.1a), sauf s'il y a une borne ou une barre spécifique prévue pour la connexion du conducteur PEN, PEL ou PEM (des exemples sont donnés par les Figures 54.1b et 54.1c).



IEC 523/11

Figure 54.1a – Exemple 1



IEC 524/11

Figure 54.1b – Exemple 2

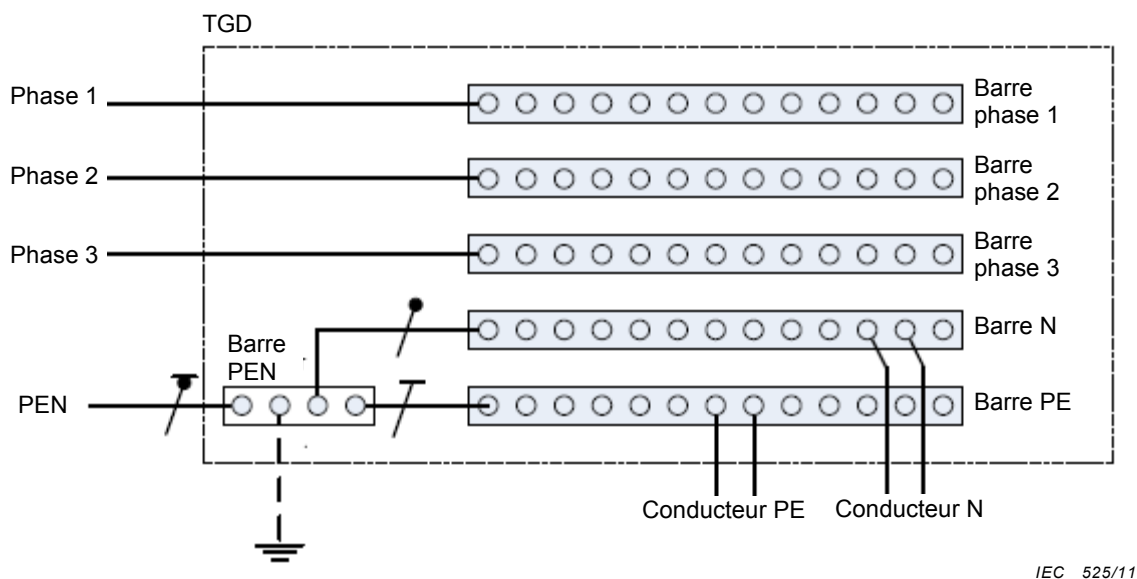


Figure 54.1c – Exemple 3

Légende

TGD Tableau général de distribution

Figure 54.1 – Exemples de connexion d'un conducteur PEN

NOTE Dans les systèmes alimentés en courant continu TBTS, par exemple dans les systèmes de télécommunications, il n'y a aucun conducteur PEL ou PEM.

543.4.4 Des éléments conducteurs étrangers ne doivent pas être utilisés comme conducteurs PEN, PEL ou PEM.

543.5 Conducteurs combinant la mise à la terre de protection et la mise à la terre fonctionnelle

Si un conducteur combinant la mise à la terre de protection et la mise à la terre fonctionnelle est utilisé, il doit satisfaire aux exigences relatives au conducteur de protection. De plus, il doit aussi satisfaire aux exigences fonctionnelles appropriées (voir l'Article 444 de la CEI 60364-4-44:2007).

Un conducteur de retour de courant continu PEL ou PEM d'une alimentation de puissance de matériels de traitement de l'information peut être utilisé comme conducteur combinant la mise à la terre fonctionnelle et la mise à la terre de protection.

NOTE Pour plus d'information, voir le 7.5.3.1 de la CEI 61140:2001.

543.6 Courants dans les conducteurs de mise à la terre de protection

Il convient que le conducteur de mise à la terre de protection ne soit pas utilisé comme chemin conducteur du courant dans les conditions normales de fonctionnement (par exemple connexion de filtres pour des raisons de CEM). Au cas où le courant excéderait 10 mA dans les conditions normales de fonctionnement, un conducteur de protection renforcé doit être utilisé (voir 543.7).

NOTE Il convient de réduire les courants de fuite capacitifs (par exemple, fuites par des câbles ou des moteurs) par la conception de l'installation et du matériel.

543.7 Conducteurs de mise à la terre de protection renforcés pour des courants dans le conducteur de mise à la terre de protection supérieurs à 10 mA

Pour des matériels d'utilisation, prévus pour une connexion permanente et dont le courant dans le conducteur de mise à la terre de protection excède 10 mA, les dispositions suivantes s'appliquent:

- si le matériel d'utilisation n'a qu'une seule borne pour un conducteur de mise à la terre de protection, le conducteur de mise à la terre de protection doit avoir une section d'au moins 10 mm² en cuivre ou 16 mm² en aluminium, pour l'ensemble de son parcours;

NOTE 1 Le conducteur PEN, PEL ou PEM conforme au 543.4 satisfait à cette exigence.

- si le matériel d'utilisation possède une borne séparée pour un second conducteur de mise à la terre de protection, un second conducteur de mise à la terre de protection, de section au moins égale à celle requise pour la protection en cas de défaut, doit être mis en œuvre jusqu'au point où le conducteur de mise à la terre de protection présente une section non inférieure à 10 mm² en cuivre ou à 16 mm² en aluminium..

NOTE 2 En schéma TN-C, avec combinaison du conducteur neutre et du conducteur de protection en un unique conducteur (conducteur PEN) jusqu'aux bornes du matériel, le courant dans le conducteur de protection peut être traité comme étant un courant de charge.

NOTE 3 Des matériels d'utilisation présentant normalement un courant élevé dans le conducteur de protection peuvent ne pas être compatibles avec des installations comportant des dispositifs de protection à courant différentiel résiduel.

543.8 Dispositions des conducteurs de protection

Si des dispositifs de protection contre les surintensités sont utilisés pour la protection contre les chocs électriques, le conducteur de protection doit être incorporé dans la même canalisation que celle contenant les conducteurs actifs ou doit être situé à proximité immédiate.

544 Conducteurs de liaison de protection

544.1 Conducteurs de liaison de protection relatifs à la connexion à la borne principale de terre

Le conducteur de liaison de protection relatif à la connexion à la borne principale de terre doit avoir une section au moins égale à la moitié de la section du plus gros conducteur de mise à la terre de protection de l'installation et au moins égale à:

- 6 mm² en cuivre; ou
- 16 mm² en aluminium; ou
- 50 mm² en acier.

Il n'est pas nécessaire que la section des conducteurs de liaison de protection relatifs à la connexion à la borne principale de terre soit supérieure à 25 mm² pour les conducteurs en cuivre ou à une section équivalente pour les autres matériaux.

544.2 Conducteurs de liaison de protection supplémentaires

544.2.1 Un conducteur de liaison de protection supplémentaire reliant deux parties conductrices accessibles doit avoir une conductance au moins égale à la plus petite conductance des conducteurs de protection connectés à ces parties conductrices accessibles.

544.2.2 Un conducteur de liaison de protection supplémentaire reliant des parties conductrices accessibles à des éléments conducteurs étrangers doit avoir une conductance au moins égale à la moitié de celle correspondante à la section du conducteur de protection.

544.2.3 La section minimale des conducteurs de liaison de protection supplémentaires, et également celle de la liaison entre deux éléments conducteurs étrangers, doivent satisfaire au 543.1.3.

Annexe A
(normative)

Méthode de détermination du facteur k en 543.1.2
(voir aussi la CEI 60724 et la CEI 60949)

Le facteur k est déterminé par la formule suivante:

$$k = \sqrt{\frac{Q_c(\beta + 20)}{\rho_{20}} \ln\left(\frac{\beta + \theta_f}{\beta + \theta_i}\right)}$$

où

Q_c est la capacité calorifique volumique du matériau du conducteur (J/K mm³) à 20 °C;

β est l'inverse du coefficient de température de la résistivité à 0 °C du conducteur (°C);

ρ_{20} est la résistivité du conducteur à 20 °C (Ωmm);

θ_i est la température initiale du conducteur (°C);

θ_f est la température finale du conducteur (°C).

Tableau A.54.1 – Valeurs des paramètres pour divers matériaux

Matériau	β^a °C	Q_c^a J/°Cmm ³	ρ_{20}^a Ωmm	$\sqrt{\frac{Q_c(\beta + 20)}{\rho_{20}}}$ $A\sqrt{s}/mm^2$
Cuivre	234,5	$3,45 \times 10^{-3}$	$17,241 \times 10^{-6}$	226
Aluminium	228	$2,5 \times 10^{-3}$	$28,264 \times 10^{-6}$	148
Acier	202	$3,8 \times 10^{-3}$	138×10^{-6}	78

^a Valeurs tirées de la CEI 60949.

Tableau A.54.2 – Valeurs de k pour les conducteurs de protection isolés, non incorporés aux câbles et non regroupés avec d'autres câbles

Isolation du conducteur	Température °C ^b		Matériau du conducteur		
	Initiale	Finale	Cuivre	Aluminium	Acier
			Valeur de k ^c		
70 °C thermoplastique (PVC)	30	160/140 ^a	143/133 ^a	95/88 ^a	52/49 ^a
90 °C thermoplastique (PVC)	30	160/140 ^a	143/133 ^a	95/88 ^a	52/49 ^a
90 °C thermodurcissable (par exemple, XLPE et EPR)	30	250	176	116	64
60 °C thermodurcissable (caoutchouc EP)	30	200	159	105	58
85 °C thermodurcissable (caoutchouc EP)	30	220	166	110	60
185 °C thermodurcissable (caoutchouc siliconé)	30	350	201	133	73

^a La valeur la plus faible est applicable aux conducteurs isolés au thermoplastique (par exemple, PVC) de section supérieure à 300 mm².

^b Les limites de températures pour divers types d'isolation sont données dans la CEI 60724.

^c Pour le calcul de k , voir la formule au début de la présente annexe.

Tableau A.54.3 – Valeurs de k pour un conducteur de protection nu en contact avec une gaine de câble, mais non regroupé avec d'autres câbles

Gaine du câble	Température °C ^a		Matériau du conducteur		
	Initiale	Finale	Cuivre	Aluminium	Acier
			Valeurs de k ^b		
Thermoplastique (PVC) polyéthylène	30	200	159	105	58
CSP ^c	30	150	138	91	50
	30	220	166	110	60

^a Les limites de températures pour divers types d'isolation sont données dans la CEI 60724.

^b Pour la méthode de calcul de k , voir la formule au début de la présente annexe.

^c CSP = Chloro-Sulphonated Polyethylene

Tableau A.54.4 – Valeurs de k pour un conducteur de protection constitué d'un conducteur isolé incorporé dans un câble, ou regroupé avec d'autres câbles ou conducteurs isolés

Isolation du conducteur	Température °C ^b		Matériau du conducteur		
			Cuivre	Aluminium	Acier
	Initiale	Finale	Valeur de k ^c		
70 °C thermoplastique (PVC)	70	160/140 ^a	115/103 ^a	76/68 ^a	42/37 ^a
90 °C thermoplastique (PVC)	90	160/140 ^a	100/86 ^a	66/57 ^a	36/31 ^a
90 °C thermdurcissable (par exemple, XLPE et EPR)	90	250	143	94	52
60 °C thermdurcissable (caoutchouc)	60	200	141	93	51
85 °C thermdurcissable (caoutchouc)	85	220	134	89	48
185 °C thermdurcissable (caoutchouc siliconé)	180	350	132	87	47

^a La valeur la plus faible est applicable aux conducteurs isolés au thermoplastique (par exemple PVC) de section supérieure à 300 mm².

^b Les limites de températures pour divers types d'isolation sont données dans la CEI 60724.

^c Pour le calcul de k , voir la formule au début de la présente annexe.

Tableau A.54.5 – Valeurs de k pour un conducteur de protection constitué par la couche métallique d'un câble, par exemple armure, gaine métallique, conducteur concentrique, etc.

Isolation du conducteur	Température °C ^a		Matériau du conducteur		
	Initiale	Finale	Cuivre	Aluminium	Acier
			Valeur de k ^c		
70 °C thermoplastique (PVC)	60	200	141	93	51
90 °C thermoplastique (PVC)	80	200	128	85	46
90 °C thermodurcissable (par exemple, XLPE et EPR)	80	200	128	85	46
60 °C thermodurcissable (caoutchouc)	55	200	144	95	52
85 °C thermodurcissable (caoutchouc)	75	220	140	93	51
Minéral avec revêtement thermoplastique (PVC) ^b	70	200	135	–	–
Minéral nu	105	250	135	–	–

^a Les limites de températures pour divers types d'isolation sont données dans la CEI 60724.

^b Cette valeur doit également être utilisée pour les conducteurs nus qui toucheraient ou seraient en contact avec un matériau combustible.

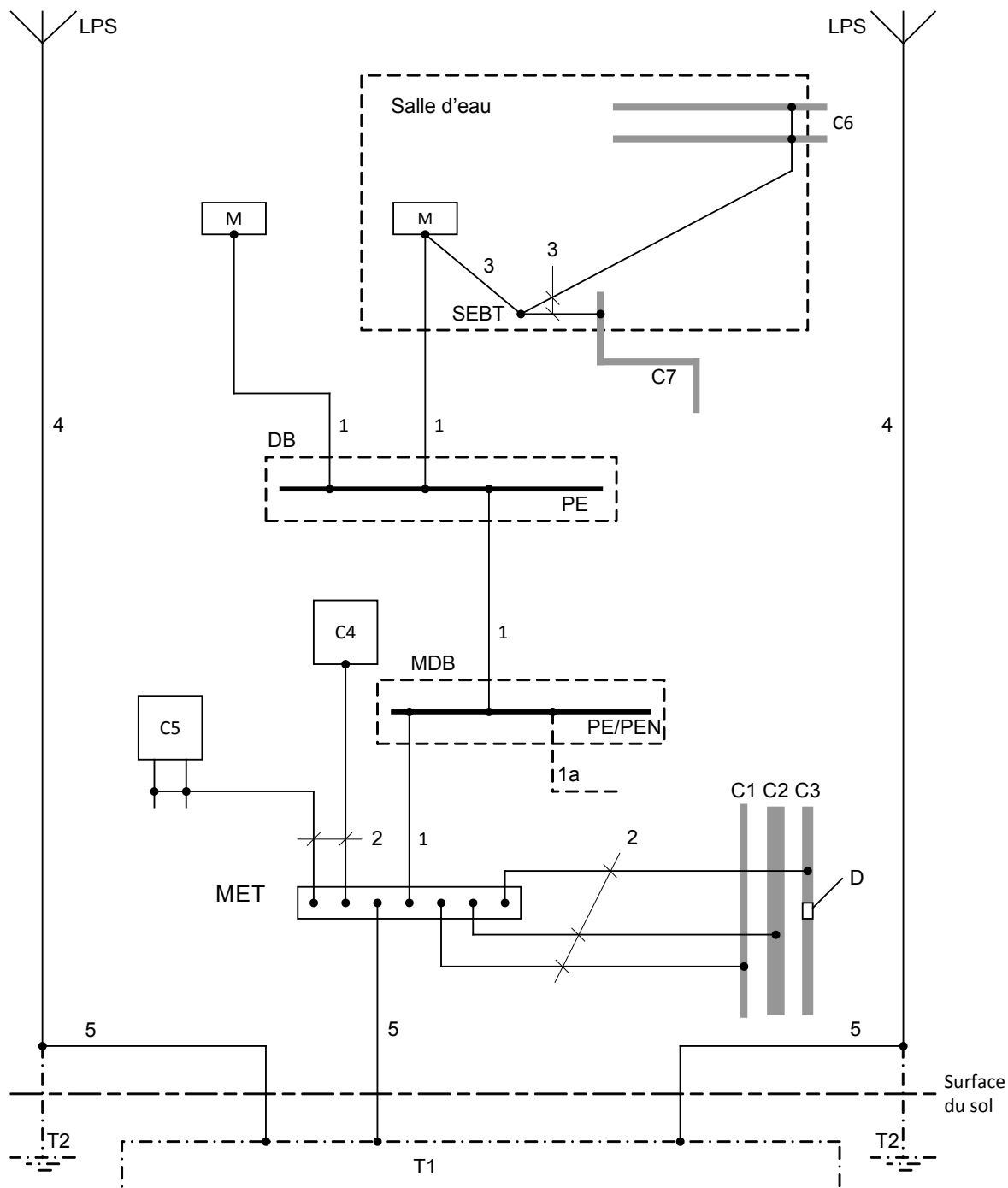
^c Pour le calcul de k , voir la formule au début de la présente annexe.

Tableau A.54.6 – Valeurs de k pour conducteurs nus ne risquant pas d'endommager les matériaux voisins par les températures indiquées

Conditions	Température initiale °C	Matériau du conducteur					
		Cuivre		Aluminium		Acier	
		Température maximale (température finale) °C	Valeur de k	Température maximale (température finale) °C	Valeur de k	Température maximale (température finale) °C	Valeur de k
Visibles et dans des zones restreintes	30	500	228	300	125	500	82
Conditions normales	30	200	159	200	105	200	58
Risque d'incendie	30	150	138	150	91	150	50

Annexe B (informative)

Exemple de dispositions de mise à la terre et de conducteurs de protection



IEC 526/11

Légende

Symbole	Nom	Remarque
C	Élément conducteur étranger	
C1	Canalisation métallique d'eau issue de l'extérieur	Ou canalisation de chauffage urbain
C2	Canalisation métallique d'évacuation d'eaux usées issue de l'extérieur	
C3	Canalisation métallique de gaz avec insert isolant, issue de l'extérieur	
C4	Conditionnement d'air	
C5	Système de chauffage	
C6	Canalisation métallique d'eau, par exemple dans une salle d'eau	Voir 701.415.2 de la CEI 60364-7-701:2006
C7	Canalisation métallique d'évacuation d'eaux usées, par exemple dans une salle d'eau	Voir 701.415.2 de la CEI 60364-7-701:2006
D	Élément isolé	
MDB	Tableau général de distribution	
DB	Tableau de répartition	Alimenté à partir du tableau général de distribution
MET	Borne principale de terre	Voir 542.4
SEBT	Borne de liaison de protection supplémentaire	
T1	Prise de terre à fond de fouille noyée dans le béton ou prise de terre à fond de fouille noyée dans le sol	Voir 542.2
T2	Prise de terre éventuelle de paratonnerre	Voir 542.2
LPS	Système de protection contre la foudre (le cas échéant)	
PE	Borne(s) PE dans le tableau de répartition	
PE/PEN	Borne(s) PE/PEN dans le tableau général de distribution	
M	Partie conductrice accessible	
1	Conducteur de mise à la terre de protection (PE)	Voir l'Article 543 Section, voir 543.1 Type de conducteur de protection, voir 543.2 Continuité électrique, voir 543.3
1a	Conducteur de protection ou éventuellement conducteur PEN, venant du réseau de distribution	
2	Conducteur de liaison de protection relatif à la connexion à la borne principale de terre	Voir 544,1
3	Conducteur de liaison de protection supplémentaire	Voir 544.2
4	Conducteur de descente d'un paratonnerre (SPF), le cas échéant	
5	Conducteur de terre	Voir 542.3

Lorsqu'un système de protection contre la foudre est installé, les exigences supplémentaires sont données dans l'Article 6 de la CEI 62305-3:2006, en particulier celles stipulées aux 6.1 et 6.2.

NOTE Les conducteurs de mise à la terre fonctionnelle ne sont pas indiqués sur la Figure B.54.1.

Figure B.54.1 – Exemple de dispositions de mise à la terre dans le cas d'une prise de terre à fond de fouille, de conducteurs de protection et de conducteurs de liaison de protection

Annexe C (informative)

Mise en œuvre de prises de terre à fond de fouille noyées dans le béton

C.1 Généralités

Le béton utilisé pour les fondations des bâtiments a une certaine conductivité et, généralement, une grande surface de contact avec le sol. Par conséquent, des électrodes métalliques nues complètement noyées dans le béton peuvent être utilisées pour la mise à la terre, à moins que le béton ne soit isolé du sol au moyen d'un isolant thermique spécial ou par d'autres procédés. Du fait des effets chimiques et physiques, l'acier nu ou galvanisé à chaud au trempé et les autres métaux noyés dans le béton, à une profondeur de plus de 5 cm, sont fortement protégés contre la corrosion, en principe pendant toute la vie du bâtiment. Au cas où cela serait possible, il conviendrait d'utiliser aussi les propriétés conductrices de l'armature (fers à béton) du bâtiment.

La réalisation d'une prise de terre à fond de fouille noyée dans le béton pendant la construction du bâtiment peut être une solution économique pour obtenir une bonne prise de terre à long terme, parce que

- elle ne rend pas nécessaire des travaux supplémentaires d'excavation,
- elle est mise en œuvre à une profondeur qui élimine habituellement les influences néfastes résultant des conditions atmosphériques saisonnières,
- elle permet d'assurer un bon contact avec sol,
- elle permet l'utilisation presque maximale de la surface des fondations des bâtiments et il en résulte une impédance minimale de la prise de terre pouvant être obtenue grâce à cette surface,
- elle procure une installation optimale de mise à la terre répondant aux besoins du système de protection contre la foudre, et
- dès le commencement de la construction du bâtiment, elle peut être utilisée comme prise de terre pour l'installation électrique du chantier.

En plus de son effet de mise à la terre, la prise de terre à fond de fouille noyée dans le béton fournit une bonne base pour la liaison de protection principale.

Les exigences et les conseils suivants pour la construction d'une prise de terre à fond de fouille noyée dans le béton s'appliquent.

C.2 Autres considérations d'utilisation de prises de terre à fond de fouille noyée dans le béton

Au cas où le bâtiment aurait des fondations conçues pour minimiser au mieux les déperditions d'énergie calorifique par isolation en utilisant des matériaux non-conducteurs, ou s'il décidait de les isoler par des moyens adéquats vis-à-vis de l'eau, par exemple en utilisant des feuilles en plastique de plus de 0,5 mm d'épaisseur, l'effet de mise à la terre par le béton des fondations ne serait pas utilisable. Dans de tels cas, l'effet favorable de l'armature métallique peut être utilisé pour la liaison de protection, et à des fins de mise à la terre, une autre disposition doit être employée, par exemple, une prise de terre supplémentaire à fond de fouille noyée dans le béton au-dessous des fondations isolées, ou une disposition de mise à la terre autour du bâtiment, ou une prise de terre à fond de fouille noyée dans le sol.

C.3 Construction de prises de terre à fond de fouille noyées dans le béton

C.3.1 Si les fondations de béton ne comportent pas d'armature métallique, les prises de terre à fond de fouille noyées dans le béton doivent être harmonisées avec le type et les dimensions des fondations. Une ou plusieurs boucles fermées (circulaires ou rectangulaires), interconnectées et de dimensions allant jusqu'à 20 m, sont préférables.

C.3.2 Pour éviter d'enfouir les électrodes dans le béton à moins de 5 cm de profondeur, des moyens appropriés doivent être utilisés pour respecter la distance de positionnement du câblage des électrodes au-dessus du sol. Si l'on utilise des bandes comme électrodes, elles doivent être fixées en étant positionnées sur leur bord, pour éviter que des lacunes de béton ne se forment sous la bande. Si une armature est présente, le câblage doit être fixé à celle-ci à des intervalles n'excédant pas 2 m. Les connexions doivent être réalisées conformément au 542.3.2. L'utilisation de joints de verrouillage doit être évitée.

C.3.3 Le câblage de la prise de terre à fond de fouille noyée dans le béton doit comporter au moins une cosse d'extrémité, laissant la possibilité de le connecter au système électrique du bâtiment (par exemple, à la borne principale de terre), soit par un point de raccordement approprié dans le béton à l'intérieur du bâtiment, soit par une bride spéciale de raccordement noyée dans le béton et débouchant à la surface d'un mur. Au point de connexion, la cosse d'extrémité doit être accessible, dans un but de maintenance et de mesurage.

En ce qui concerne la protection contre la foudre et les bâtiments ayant des exigences particulières relatives au traitement de l'information, plusieurs cosses d'extrémité de prise de terre à fond de fouille peuvent être nécessaires, par exemple, pour des conducteurs de descente du système de protection contre la foudre.

On doit prendre en considération les problèmes de corrosion des fils d'acier relatifs aux connexions passant dans le sol, dont on a besoin à l'extérieur du béton des fondations (voir l'Article C.4). Pour ces connexions, il convient de recommander qu'elles entrent dans le béton de l'intérieur du bâtiment, ou de l'extérieur de manière appropriée au-dessus du niveau du sol.

C.3.4 Les valeurs données dans le Tableau 54.1 s'appliquent à la section minimale des prises, y compris les cosses d'extrémité. Les connexions doivent être soigneusement réalisées et électriquement satisfaisantes (voir 542.3.2).

C.3.5 L'armature métallique des fondations du bâtiment peut être utilisée comme électrode, pourvu qu'elle soit connectée soigneusement, conformément au 542.3.2. L'autorisation de la personne responsable de la conception des structures du bâtiment et de l'analyse de la construction est exigée pour réaliser des connexions soudées à l'armature. Les connexions qui ne sont réalisées que par un fil de fer enroulé ne sont pas appropriées aux connexions de protection, mais peuvent être suffisantes pour répondre aux besoins CEM exigés par le traitement de l'information. Une armature précontrainte ne doit pas être utilisée comme électrode.

Si des grilles soudées, formées à partir de fils de petit diamètre, sont utilisées pour l'armature, leur utilisation en tant qu'électrodes est possible, pourvu qu'elles soient soigneusement reliées en plusieurs points distincts à la cosse d'extrémité ou à d'autres parties de l'électrode de manière à présenter au moins la même section que celle exigée par le Tableau 54.1. Le diamètre minimal des fils individuels de ces grilles doit être de 5 mm, avec au moins quatre connexions entre la cosse d'extrémité et la grille, réparties sur plusieurs parties de chaque grille.

C.3.6 Le câblage des électrodes ne doit pas passer par dessus les joints entre les différentes parties constitutives des grandes fondations. À ces emplacements, des

connecteurs déformables appropriés doivent être installés à l'extérieur du béton pour fournir les connexions électriques nécessaires.

C.3.7 Les prises de terre à fond de fouille noyée dans le béton de fondations uniques (par exemple, pour la construction de grands halls) doivent être reliées aux autres parties de la prise de terre à fond de fouille noyée dans le béton en utilisant des conducteurs de mise à la terre appropriés. L'Article C.4 indique comment enfouir ces connexions dans le sol.

C.4 Problèmes éventuels de corrosion relatifs à d'autres dispositions de mise à la terre extérieures aux prises de terre à fond de fouille noyée dans le béton

L'attention est attirée sur le fait que l'acier commercial (nu ou galvanisé à chaud au trempé) noyé dans le béton donne lieu à un potentiel électrochimique égal à celui du cuivre enterré. Par conséquent, il y a un risque de corrosion électrochimique des autres dispositions de mise à la terre, constituées d'éléments en acier enterrés près des fondations, et qui sont connectés à une prise de terre à fond de fouille noyée dans le béton. Cet effet peut aussi être constaté avec les fondations armées des grands bâtiments.

Une électrode en acier venant du béton des fondations ne doit pas être installée directement dans le sol, sauf si cette électrode est en acier inoxydable ou bien est correctement protégée contre l'humidité par un procédé de fabrication adéquat. Une galvanisation à chaud au trempé ou une protection par peinture ou par d'autres matériaux similaires a posteriori, n'est pas suffisante pour cet usage. Afin de garantir une durée de vie suffisante à cette partie de l'installation de mise à la terre, il convient d'utiliser d'autres matériaux que l'acier galvanisé à chaud au trempé pour les installations supplémentaires de mise à la terre autour et près de ces bâtiments.

C.5 Achèvement des prises de terre à fond de fouille noyées dans le béton

C.5.1 Après avoir préparé les électrodes et/ou l'armature connectée, mais avant de couler le béton, il convient qu'une vérification et une documentation de l'installation soient faites par une personne expérimentée. La documentation doit être contenir une description, des plans et des photos, et doit constituer une partie de la documentation complète de l'installation électrique (voir la CEI 60364-6).

C.5.2 Le béton utilisé pour les fondations doit être composé d'au moins 240 kg de ciment par m³ de béton. Le béton doit avoir une consistance semi-liquide convenable pour remplir toutes les lacunes pouvant se trouver au-dessous des électrodes.

Annexe D (informative)

Mise en œuvre de prises de terre noyées dans le sol

D.1 Généralités

La résistance d'une prise de terre dépend de ses dimensions, de sa forme et de la résistivité du sol dans lequel elle est enfouie. Cette résistivité est souvent variable d'un endroit à un autre et change suivant la profondeur.

La résistivité d'un sol est exprimée en Ωm : numériquement, c'est la résistance, en Ω , d'un cylindre de terre d'une section de 1 m^2 et d'une longueur de 1 m .

L'aspect de la surface et de la végétation peut donner quelques indications sur les caractéristiques plus ou moins favorables d'un sol, pour la mise en place d'une prise de terre. Des mesures sur des prises de terre réalisées dans un sol similaire donnent de bonnes indications.

La résistivité du sol dépend de son humidité et de sa température, toutes deux changeant tout au long de l'année. L'humidité est influencée par l'agrégation du sol et par sa porosité. En pratique, la résistivité du sol augmente lorsque l'humidité diminue.

Les couches de terre qu'un ruissellement d'eau peut traverser, comme on peut en trouver près des rivières, sont rarement appropriées à la mise en œuvre des prises de terre. En fait, ces couches se composent de sédiments pierreux, très perméables, détrempées par de l'eau épurée par filtration naturelle et présentant une forte résistivité. Il convient d'enfouir profondément les tiges de mise à la terre, afin d'atteindre des sédiments plus profonds avec, éventuellement, une meilleure conductivité.

Le gel augmente considérablement la résistivité du sol, qui peut atteindre plusieurs milliers d' Ωm dans la couche gelée. L'épaisseur de cette couche gelée peut atteindre 1 m dans certaines régions.

L'assèchement du sol augmente également sa résistivité. Dans certaines zones, l'effet de sécheresse peut être rencontré jusqu'à une profondeur de 2 m . En cas de sécheresse du sol, les valeurs atteintes par la résistivité peuvent être du même ordre de grandeur que celles obtenues dans le cas d'un sol gelé.

D.2 Résistivité du sol

Le Tableau D.54.1 donne des informations sur des valeurs de résistivité pour un certain nombre de sols.

Le Tableau D.54.2 indique que la résistivité peut varier dans une grande proportion, pour une même nature de sol.

Tableau D.54.1 – Résistivité pour différents types de sol

Nature du sol	Résistivité Ωm
Terrains marécageux	De quelques unités jusqu'à 30
Alluvions	20 à 100
Humus	10 à 150
Tourbe humide	5 à 100
Argiles malléables	50
Marnes et argiles compactes	100 à 200
Marnes jurassiques	30 à 40
Sables argileux	50 à 500
Sables siliceux	200 à 3 000
Sols pierreux nus	1 500 à 3 000
Sols pierreux couverts de pelouse	300 à 500
Calcaire mou	100 à 300
Calcaire compact	1 000 à 5 000
Calcaire fissuré	500 à 1 000
Schistes	50 à 300
Micaschistes	800
Granit et grès selon l'altération	1 500 à 10 000
Granit et grès très altéré	100 à 600

Pour permettre une première approximation de la résistance d'une prise de terre, le calcul peut être fait en utilisant les valeurs moyennes indiquées par le Tableau D.54.2.

Il est évident que le calcul fait à partir de ces valeurs ne donne qu'un résultat très approximatif de la résistance de la prise de terre. Après avoir utilisé les algorithmes indiqués à l'Article D.3, la mesure de cette résistance peut permettre une évaluation de la valeur moyenne de la résistivité du sol; la connaissance de cette valeur peut être utile pour d'autres travaux effectués en conditions similaires.

Tableau D.54.2 – Variation de la résistivité pour différents types de sol

Nature du sol	Valeur moyenne de la résistivité Ωm
Sol arable limoneux, remblai compact humide	50
Terre arable pauvre, gravier, remblai grossier	500
Sol pierreux nu, sable sec, roches imperméables	3 000

D.3 Prises de terre enterrées dans le sol

D.3.1 Parties constitutives

Les prises de terre peuvent se composer

- d'éléments enterrés en acier galvanisé à chaud au trempé,

- en acier gainé de cuivre,
- en acier avec revêtement de cuivre électro-déposé,
- en acier inoxydable,
- en cuivre nu.

Les jonctions entre des métaux de nature différente ne doivent pas être en contact avec le sol. D'une manière générale, il convient de ne pas utiliser d'autres métaux et alliages.

L'épaisseur minimale et les diamètres minimaux des paragraphes suivants tiennent compte des risques habituels de détérioration chimique et mécanique. Toutefois, ces dimensions peuvent ne pas être suffisantes dans les situations où il existe des risques de corrosion importants. Ceux-ci peuvent se rencontrer dans des sols où des courants vagabonds circulent, par exemple, des retours de courants continus de traction électrique ou à proximité d'installations de protection cathodique. En ce cas, des précautions particulières doivent être prises.

Il convient que les prises de terre soient enfouies aussi profond que possible dans les parties les plus humides du sol mis à disposition. Elles doivent être maintenues éloignées des décharges d'ordures où la percolation de fumier, lisier, produit chimique, coke, etc. peut les corroder et être, autant que possible, mises en œuvre à l'écart des endroits très fréquentés.

D.3.2 Évaluation de la résistance d'une prise de terre

a) Conducteur enterré horizontalement

La résistance d'une prise de terre (R) réalisée avec un conducteur enterré horizontalement (voir le 542.2.3 et le Tableau 54.1), peut être approximativement calculée avec la formule:

$$R = 2 \frac{\rho}{L}$$

où ρ est la résistivité du sol (en Ωm) et L la longueur de la tranchée occupée par les conducteurs (en m).

Il est à noter que la pose des conducteurs avec un cheminement sinueux dans la tranchée n'améliore pas sensiblement la résistance de la prise de terre.

Dans la pratique, ces conducteurs sont disposés de deux manières différentes:

- prise de terre à fond de fouille du bâtiment: ces prises de terre sont constituées d'une boucle dans les fondations parcourant tout le périmètre du bâtiment. La longueur à considérer est le périmètre du bâtiment;
- tranchées horizontales: les conducteurs sont enterrés à une profondeur d'environ 1 m, dans les tranchées creusées à cet effet.

Les tranchées ne doivent pas être remplies de pierres, de cendres ou de matériaux similaires, mais, de préférence, de terre susceptible de conserver l'humidité.

b) Plaques enterrées

Pour avoir le meilleur contact des deux surfaces avec le sol, les plaques sont, de préférence, enfouies verticalement, dans leur intégralité.

Il convient que les plaques soient enterrées de manière qu'elles soient situées à une profondeur d'approximativement 1 m.

La résistance (R) d'une plaque prise de terre enterrée à une profondeur suffisante est approximativement égale à:

$$R = 0,8 \frac{\rho}{L}$$

où ρ est la résistivité du sol (en Ωm) et L le périmètre de la plaque (en m).

c) Électrodes enterrées verticalement

La résistance d'une prise de terre (R) réalisée avec une électrode enterrée verticalement (voir le 542.2.3 et le Tableau 54.1), peut être approximativement calculée avec la formule:

$$R = \frac{\rho}{L}$$

où ρ est la résistivité du sol (en Ωm) et L la longueur du poteau (en m).

Si un risque de gel ou de sécheresse existe, les longueurs des poteaux doivent être augmentées de 1 m ou 2 m.

Il est possible de réduire la valeur de la résistance de la prise de terre en disposant plusieurs poteaux verticaux connectés en parallèle et distants d'au moins leur longueur, dans le cas de deux poteaux, et plus s'il y en a davantage.

Nous attirons l'attention sur le fait qu'en cas de poteaux de grande longueur, le sol étant rarement homogène, ceux-ci peuvent éventuellement atteindre des couches de faible résistivité.

D.4 Pilier métallique utilisé comme prise de terre

Des piliers métalliques interconnectés par une structure métallique et enterrés à une certaine profondeur, peuvent être utilisés comme prise de terre.

La résistance (R) d'un pilier métallique enterré, utilisé comme prise de terre, peut être approximativement calculée avec la formule:

$$R = 0,366 \frac{\rho}{L} \log_{10} \frac{3L}{d}$$

ou

L est la longueur enterrée du pilier (en m);

d est le diamètre du cylindre circonscrit du pilier (en m);

ρ est la résistivité du sol (en Ωm).

Un jeu de piliers interconnectés, situés autour d'un bâtiment, a une résistance du même ordre de grandeur que celle d'une prise de terre à fond de fouille.

Le fait qu'ils soient noyés dans du béton n'est pas un obstacle à l'utilisation des piliers comme prise de terre et ne modifie pas sensiblement la résistance de celle-ci.

Annexe E (informative)

Liste des notes concernant certains pays

Pays	Article N°	Nature (permanente ou temporaire selon les Directives CEI)	Raisons (justification détaillée concernant la demande de note pour le pays)	Texte
BE	541.3.3, 541.3.4, 542		Les règles de câblage (Art 69) ne permettent pas d'utiliser une prise de terre conformément aux définitions VEI 826-13-05 ou VEI 826-13-08 (modifiées en 541.3.4 ou 541.3.5). La définition donnée dans la colonne "Texte" est cohérente avec les définitions VEI 826 04-02:2004 ou 604-04-03:1987	En Belgique, une prise de terre doit être conforme à la définition suivante: une partie conductrice ou un groupe de parties conductrices interconnectées, qui sont enterrées et assurent une connexion électrique à la terre.
DE	542.1.1			En Allemagne, il est obligatoire de mettre en œuvre une prise de terre à fond de fouille pour tout nouveau bâtiment, conformément à la Norme nationale DIN 18014.
IE	542.2.1			Cette note ne s'applique pas en Irlande.
SI	542.2.1 542.3.1			En Slovénie, la section minimale d'une électrode de mise à la terre ou d'un conducteur de terre en acier est de 100 mm ² .

Pays	Article N°	Nature (permanent ou temporaire selon les Directives CEI)	Raisons (justification détaillée concernant la demande de note pour le pays)	Texte																							
CZ	542.2.1			<p>En République Tchèque, outre les électrodes en acier conformes au Tableau 54.1, les dimensions minimales des prises de terre en acier, tenant compte de la corrosion et de leur résistance mécanique lorsqu'elles sont enfouies dans un sol de résistivité supérieure à 50 Ω.m, sont conformes au tableau suivant:</p> <p style="text-align: center;">Valeur minimale des électrodes de terre en acier placées dans le sol de résistivité supérieure à 50 Ω</p> <table border="1" data-bbox="513 210 938 1151"> <thead> <tr> <th rowspan="2">Type de prise de terre</th> <th rowspan="2">Forme</th> <th colspan="2">Dimension minimale</th> </tr> <tr> <th>Acier galvanisé</th> <th>Acier nu (sans revêtement)</th> </tr> </thead> <tbody> <tr> <td rowspan="2">Prise de terre en bande ou en fil rond</td> <td>Bande</td> <td>Confirme au Tableau 54.1</td> <td>Section 150 mm², épaisseur 4 mm</td> </tr> <tr> <td>Fil d'acier</td> <td>Ø 8 mm</td> <td>Ø 10 mm</td> </tr> <tr> <td rowspan="3">Tige avec prolongation verticale</td> <td>Tige ronde</td> <td>Ø 8 mm</td> <td>Ø 10 mm</td> </tr> <tr> <td>Conduit/Canalisation</td> <td>Ø 15 mm, épaisseur de paroi du conduit 3 mm</td> <td>Ø 15 mm, épaisseur de paroi du conduit 4 mm</td> </tr> <tr> <td>Coude en acier, etc.</td> <td>Section 100 mm² épaisseur de paroi du coude 3 mm</td> <td>Section 150 mm² épaisseur de paroi du coude 4 mm</td> </tr> </tbody> </table>	Type de prise de terre	Forme	Dimension minimale		Acier galvanisé	Acier nu (sans revêtement)	Prise de terre en bande ou en fil rond	Bande	Confirme au Tableau 54.1	Section 150 mm ² , épaisseur 4 mm	Fil d'acier	Ø 8 mm	Ø 10 mm	Tige avec prolongation verticale	Tige ronde	Ø 8 mm	Ø 10 mm	Conduit/Canalisation	Ø 15 mm, épaisseur de paroi du conduit 3 mm	Ø 15 mm, épaisseur de paroi du conduit 4 mm	Coude en acier, etc.	Section 100 mm ² épaisseur de paroi du coude 3 mm	Section 150 mm ² épaisseur de paroi du coude 4 mm
Type de prise de terre	Forme	Dimension minimale																									
		Acier galvanisé	Acier nu (sans revêtement)																								
Prise de terre en bande ou en fil rond	Bande	Confirme au Tableau 54.1	Section 150 mm ² , épaisseur 4 mm																								
	Fil d'acier	Ø 8 mm	Ø 10 mm																								
Tige avec prolongation verticale	Tige ronde	Ø 8 mm	Ø 10 mm																								
	Conduit/Canalisation	Ø 15 mm, épaisseur de paroi du conduit 3 mm	Ø 15 mm, épaisseur de paroi du conduit 4 mm																								
	Coude en acier, etc.	Section 100 mm ² épaisseur de paroi du coude 3 mm	Section 150 mm ² épaisseur de paroi du coude 4 mm																								
CZ	542.2.1			<p>En République Tchèque, les plaques métalliques ne sont utilisées comme prises de terre que dans des cas justifiés.</p>																							
US	542.2.1		<p>Les exigences aux États-Unis pour les dimensions minimales des tiges d'une prise de terre sont différentes de celles données par le Tableau 54.1</p>	<p>Aux États-Unis, le diamètre minimal des prises de terre en fer ou en acier est de 15,87 mm (= 0,625 in), quel que soit l'électrode position ou le revêtement. Si elles sont certifiées pour leur utilisation comme prises de terre, les tiges d'acier inoxydable ou de matériau non ferreux peuvent être supérieures ou égales à 13 mm (0,519 in).</p>																							
NL	542.2.2			<p>Aux Pays-Bas, une seule interruption dans le dispositif de mise à la terre ne doit pas conduire à une tension de contact de l'installation (connectée à ce dispositif de mise à la terre) qui ne serait pas conforme à l'Article 411.</p>																							
NL	542.2.2			<p>Aux Pays-Bas, les électrodes de mise à la terre et les conducteurs associés doivent être installés à une profondeur d'au moins 60 cm. Les conducteurs d'un dispositif de mise à la terre posés en boucle ou ayant une forme circulaire, doivent être installés avec une distance entre eux d'au moins 1 m.</p>																							

Pays	Article N°	Nature (permanent ou temporaire selon les Directives CEI)	Raisons (justification détaillée concernant la demande de note pour le pays)	Texte
AT	542.2.3			En Autriche, les canalisations d'eau ne sont pas autorisées comme prises de terre.
BE	542.2.3			En Belgique, les canalisations d'eau ne sont pas autorisées comme prises de terre.
CH	542.2.3			En Suisse, les canalisations d'eau ne sont pas autorisées comme prises de terre.
DE	542.2.3			En Allemagne, les canalisations d'eau ne sont pas autorisées comme prises de terre.
FI	542.2.3			En Finlande, les canalisations d'eau ne sont pas autorisées comme prises de terre.
IE	542.2.3			En Irlande, les canalisations d'eau ne sont pas autorisées comme prises de terre.
IS	542.2.3			En Islande, les canalisations d'eau ne sont pas autorisées comme prises de terre.
FR	542.2.3			En France, les canalisations d'eau ne sont pas autorisées comme prises de terre.
SE	542.2.3			En Suède, les canalisations d'eau ne sont pas autorisées comme prises de terre.
UK	542.2.3			Au Royaume-Uni, les canalisations d'eau ne sont pas autorisées comme prises de terre.
IT	542.2.3			En Italie, il est permis de se servir des canalisations d'eau comme prises de terre, mais uniquement avec le consentement de l'organisme de distribution d'eau.
PL	542.2.3			En Pologne, il est permis de se servir des canalisations d'eau comme prises de terre, mais uniquement avec le consentement de l'organisme de distribution d'eau.
KR	542.2.3			En Corée du Sud, il est permis de se servir des canalisations d'eau comme prises de terre, mais uniquement avec le consentement de l'organisme de distribution d'eau.
NL	542.2.3			Aux Pays-Bas, les canalisations d'eau ne sont pas autorisées comme prises de terre.
SI	542.2.3			En Slovénie, des canalisations d'eau ne peuvent pas être utilisées comme prises de terre.
NO	542.2.3			En Norvège, il n'est pas permis d'utiliser des conduites métalliques comme prises de terre.
DK	542.2.3			Au Danemark, les canalisations d'eau ne sont pas autorisées comme prises de terre.
DE	542.2.5			En Allemagne, pour les conducteurs extérieurs (par exemple, conducteurs de descente SPF), raccordés à la terre à fond de fouille, les connexions en aciers galvanisés à chaud ne doivent pas être enfouies dans le sol, excepté si des jonctions recouvertes de plastique ou en acier inoxydable n° 1.4571 sont utilisées pour assurer un isolement durable (selon les Matériaux de Référence Certifiés Européens CRM 284-2, EN 10020).
CH	542.3.1			En Suisse, la section minimale des conducteurs de terre ne doit pas être inférieure à 16 mm².
IE	542.3.1			En Irlande, la section minimale est de 10 mm².

Pays	Article N°	Nature (permanent ou temporaire selon les Directives CEI)	Raisons (justification détaillée concernant la demande de note pour le pays)	Texte
DK	542.3.1			Au Danemark, les conducteurs de mise à la terre enterrés doivent être enfouis à une profondeur d'au moins 0,35 m.
NL	542.3.1			Aux Pays-Bas, une seule interruption du conducteur de protection, utilisé pour plusieurs installations, ne doit pas conduire à une tension de contact qui ne serait pas conforme à l'Article 411.
NO	542.3.1			En Norvège, les conducteurs de mise à la terre posés en terre doivent être d'au moins 25 mm ² pour le cuivre ou 50 mm ² pour le fer protégé contre la corrosion. Les jonctions et/ou les connexions doivent être protégées contre la corrosion.
CN	542.3.2			En Chine, les jonctions dans les conduits ne sont pas autorisées.
SI	542.3.2			En Slovénie, la connexion d'un conducteur de terre à une électrode de mise à la terre peut aussi être réalisée avec des écrous de taille minimum M10.
NL	542.3.2			Aux Pays-Bas, les conducteurs de mise à la terre enterrés doivent être installés à une profondeur d'au moins 60 cm.
DK	542.2.4			Au Danemark, la prise de terre doit être placée à une profondeur d'au moins 2 m.
CZ	542.2.5 (après le 1 ^{er} alinéa)			En République Tchèque, dans les régions à population dense, les prises de terre en cuivre ou gainées de cuivre ne sont autorisées qu'à la condition que l'influence corrosive du cuivre sur l'acier, sur l'acier galvanisé, etc. soit maîtrisée et qu'une protection sacrificielle pour l'élimination de macro-cellules soit appliquée.
CZ	542.2.5 (à la fin du paragraphe)			En République Tchèque, les contacts des prises de terre en acier et des conducteurs de mise à la terre, et les passages (transitions) des prises de terre en acier et des conducteurs de mise à la terre entre deux medias différents sont protégés, peu importe s'ils sont protégés ou non globalement d'une manière conventionnelle (par exemple, par une couche de zinc). Les transitions sont protégées par une protection passive (par exemple, par un composé d'étanchéité d'asphalte, coulage de résine, bande anticorrosive, etc.) jusqu'aux distances suivantes: <ul style="list-style-type: none"> - conducteurs de mise à la terre passant dans le sol, au moins à 30 cm au-dessous de la surface et 20 cm au-dessus de la surface; - conducteurs de mise à la terre venant des prises de terre à fond de fouille; - au passage du béton au sol, au moins à 30 cm dans le béton et 100 cm dans le sol; - au passage du béton à la surface, au moins à 10 cm dans le béton et 20 cm au-dessus de la surface; - au franchissement des joints de dilatation - cambrure de franchissement du joint et au moins 20 cm dans le béton des deux côtés du joint.

Pays	Article N°	Nature (permanent ou temporaire selon les Directives CEI)	Raisons (justification détaillée concernant la demande de note pour le pays)	Texte
ES	542.2.6		En Espagne, les règles de câblage nationales conformes au R.D. 842/2002 prescrivent des exigences différentes.	En Espagne, pour des raisons de sécurité, les conducteurs métalliques pour les liquides inflammables ou les gaz ne doivent pas être utilisés comme dispositif de mise à la terre.
IE	542.3.1			En Irlande, la section minimale pour les circuits d'éclairage est de 1,5 mm ² .
FI	542.3.1			En Finlande, les sections minimales des conducteurs de mise à la terre non protégés contre la corrosion sont de 16 mm ² pour le cuivre ou de 50 mm ² pour l'acier.
USA	543.1			Aux Etats-Unis, la section minimale des conducteurs de protection est spécifiée dans le document NFPA 70, National Electrical Code, Article 250.
AT	543.1.1			<p>En Autriche, remplacer le premier et le second alinéa par:</p> <p>La section de chaque conducteur de protection doit être capable de résister aux contraintes mécaniques et thermiques causées par les courants de défauts sur la durée estimée.</p> <p>Si une déconnexion automatique est utilisée conformément au 411.3.2, la section des conducteurs de protection doit être</p> <ul style="list-style-type: none"> - soit calculée conformément au 543.1.2, - soit choisie conformément au Tableau 54.2. Pour des conducteurs de protection protégeant des parties conductrices de la source (par exemple des générateurs ou des transformateurs), une section égale à la moitié de la section des conducteurs de ligne peut ne pas être suffisante. Dans de tels cas, il faut s'assurer que les exigences du premier alinéa sont remplies. <p>En tout état de cause, les exigences du 543.1.3 doivent être remplies.</p>
AT	543.1.1 Tableau 54.2 5 ^{ème} ligne		Expérience de long terme	En Autriche, depuis une période bien avant le changement de normes des câbles, il est autorisé d'utiliser des câbles normalisés avec une section de 150/70 mm ² et de 400/185 mm ² sans calculs conformément au 543.1.2, même si la section des conducteurs de protection est un peu inférieure à 0.5 fois la section des conducteurs de lignes, comme demandé dans le Tableau 54.2.
DK	543.1.1			<p>Au Danemark, lorsque les circuits sont protégés par DDR, il est habituellement permis d'utiliser des conducteurs de protection en cuivre d'une section d'au moins 2,5 mm², indépendamment de la section du conducteur de phase et sans avoir à effectuer de calcul.</p> <p>Il n'est nécessaire de calculer la section du conducteur de protection à l'aide de la formule que lorsque des DDR sont utilisés dans des schémas TN, et que le conducteur de protection est relié au conducteur PEN en amont d'un DDR, avec une section inférieure à celle du conducteur de phase, et une longueur inférieure à 10 m.</p>

Pays	Article N°	Nature (permanent ou temporaire selon les Directives CEI)	Raisons (justification détaillée concernant la demande de note pour le pays)	Texte
NL	543.1.4			Aux Pays-Bas, dans le cas où une installation de mise à la terre serait utilisée pour plusieurs installations, le conducteur de mise à la terre doit être installé de telle manière qu'une seule interruption du conducteur n'altère pas la fonction de protection de l'installation.
CN	543.2.1			En Chine, les chemins de câbles et les échelles à câbles peuvent être utilisés comme conducteurs de protection conformément aux règlements locaux ou nationaux, ou aux normes.
ES	543.2.1		En Espagne, les règles de câblage nationales conformes au R.D. 842/2002 prescrivent des exigences différentes.	En Espagne, l'utilisation des conduits en tant que conducteurs de protection est interdite.
ES	543.2.1		En Espagne, les règles de câblage nationales conformes au R.D. 842/2002 prescrivent des exigences différentes.	En Espagne, pour des raisons de sécurité, les conduits métalliques pour les liquides inflammables ou les gaz ne doivent pas être utilisés comme dispositif de mise à la terre.
IT	543.2.1			En Italie, les chemins de câbles et les échelles à câbles peuvent être utilisés comme conducteurs de protection conformément aux règlements locaux ou nationaux, ou aux normes.
UK	543.2.1			Au Royaume-Uni, les chemins de câbles et les échelles à câbles peuvent être utilisés comme conducteurs de protection conformément aux règlements locaux ou nationaux, ou aux normes.
UK	543.2.1		Au Royaume-Uni, les canalisations métalliques préfabriquées peuvent également être utilisées comme conducteur de protection.	Au Royaume-Uni, des éléments conducteurs étrangers peuvent être utilisés comme conducteur de protection.
US	543.2.1			Aux États-Unis, les chemins de câbles et les échelles à câbles peuvent être utilisés comme conducteurs de protection conformément aux règlements locaux ou nationaux, ou aux normes.
UK	543.2.3			Au Royaume Uni, les chemins de câbles sont autorisés comme conducteurs de protection conformément aux règles ou normes locales ou nationales.
CH	543.2.3			En Suisse, les canalisations métalliques d'eau peuvent être utilisées comme conducteurs d'équipotentialité de protection.
UK	543.4		Au Royaume-Uni, le Règlement 8(4) du document "Electricity Safety, Quality and Continuity Regulations 2002" stipule qu'un consommateur ne doit pas associer les fonctions de neutre et de protection dans un même conducteur de son installation.	Au Royaume-Uni, un consommateur ne doit pas associer les fonctions de neutre et de protection dans un même conducteur de son installation.

Pays	Article N°	Nature (permanent ou temporaire selon les Directives CEI)	Raisons (justification détaillée concernant la demande de note pour le pays)	Texte
DE	544.1			En Allemagne, remplacer le 1 ^{er} alinéa par: Le conducteur d'équipotentialité relatif à la connexion à la borne principale de terre doit avoir une section au moins égale à:
UK	544.1			Au Royaume Uni, des exigences particulières existent pour la section minimale des conducteurs de liaison de protection si les conditions de mise à la terre multiple (PME) s'appliquent.
CZ	543.4.1			En République Tchèque, l'utilisation des conducteurs PEN dans les parties d'installations non munies de compteurs est autorisée à condition que: <ul style="list-style-type: none"> - les sections de tous les conducteurs des dérivations vers les compteurs, et depuis les compteurs vers le point de séparation, sont identiques et supérieures ou égales à 6 mm² pour le cuivre ou 10 mm² pour l'aluminium; - la séparation du conducteur PEN en conducteur neutre N et en conducteur de protection PE est effectuée au point approprié le plus proche des canalisations, derrière le compteur (par exemple, dans le tableau de distribution électrique du logement), tout en conservant la conformité aux autres exigences de ce paragraphe.
SE	543.4.3 b)			En Suède, l'exemple de l'item b) n'est pas autorisé.
DE	544.1			En Allemagne, remplacer le premier paragraphe par ce qui suit: Le conducteur de liaison de protection pour la connexion au circuit de terre principal doit avoir une section au minimum de:
CH	544.1.1		La loi suisse exige une section d'au moins 10 mm ² pour les bâtiments équipés de protection contre la foudre.	En Suisse, s'il est utilisé en conjonction avec les installations de protection contre la foudre, la section minimale du conducteur d'équipotentialité principal doit être d'au moins 10 mm ² .
IE	544.1 1er point			En Irlande, la valeur minimale est de 10 mm ² . De plus, un marquage permanent portant l'inscription « connexion de sécurité électrique – ne pas enlever » doit être inscrit sur chaque conducteur de liaison principal de protection.
IE	544.1 2 ^{ème} alinéa			En Irlande, la valeur pour les conducteurs de liaison principaux de protection ne doit pas dépasser 70 mm ² .
IE	544.2.3			En Irlande, la section minimale pour les conducteurs de liaison de protection supplémentaires est de 2,5 mm ² si une protection mécanique est assurée, et de 4 mm ² dans le cas contraire. De plus, un marquage permanent portant l'inscription « connexion de sécurité électrique – ne pas enlever » doit être inscrit sur le conducteur de liaison de protection relié à une canalisation.

Bibliographie

CEI 60050-195:1998, *Vocabulaire Électrotechnique International – Partie 195: Mise à la terre et protection contre les chocs électriques*

CEI 60050-826:2004, *Vocabulaire Électrotechnique International – Partie 826: Installations électriques*

CEI 60079-0, *Atmosphères explosives – Partie 0: Matériel – Exigences générales*

CEI 60079-14, *Atmosphères explosives – Partie 14: Conception, sélection et construction des installations électriques*

CEI 60364-4-43, *Installations électriques à basse tension – Partie 4-43: Protection pour assurer la sécurité – Protection contre les surintensités*

CEI 60364-5-52, *Installations électriques à basse tension – Partie 5-52: Choix et mise en œuvre des matériels électriques – Canalisations*

CEI 60364-6, *Installations électriques à basse tension – Partie 6: Vérification*

CEI 60364-7-701:2006, *Installations électriques à basse tension – Partie 7-701: Règles pour les installations et emplacements spéciaux – Emplacements contenant une baignoire ou une douche*

CEI 60702-1, *Câbles à isolant minéral et leurs terminaisons de tension assignée ne dépassant pas 750 V – Partie 1: Câbles*

CEI 61643-12, *Parafoudres basse tension – Partie 12: Parafoudres connectés aux réseaux de distribution basse tension – Principes de choix et d'application*

Norme nationale DIN 18014:1994, *Fundamenteerder ("Prises de terre fond de fouille" en français)*

.....

Copyright International Electrotechnical Commission
Provided by IHS under license with IEC
No reproduction or networking permitted without license from IHS

INTERNATIONAL
ELECTROTECHNICAL
COMMISSION

3, rue de Varembé
PO Box 131
CH-1211 Geneva 20
Switzerland

Tel: + 41 22 919 02 11
Fax: + 41 22 919 03 00
info@iec.ch
www.iec.ch